

Remote Alternative Wiring References

CONTENT:

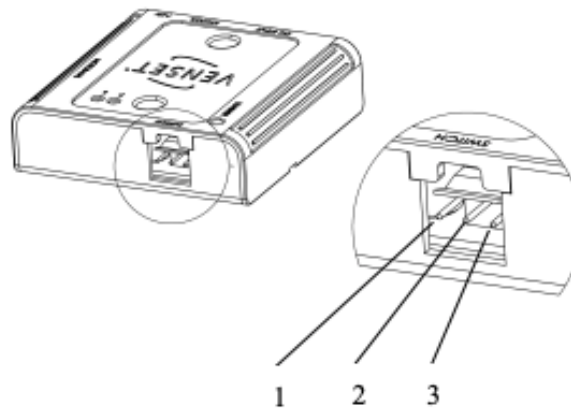
1. RF Box Pin Layout and Description
2. Intertechno - CMR500
3. Crestron - DMPS-300-C
4. Control 4 - HC-250
5. Shelly 2.5
6. Fibaro Double Relay Switch

PRO TIP:

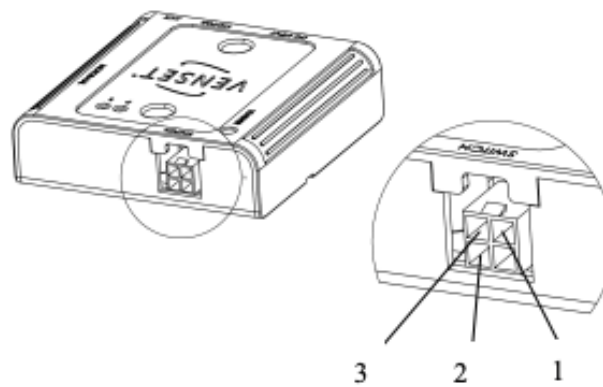
The list below is a great guide, but is not an exhaustive list of control options. The mechanism control box on our mechanism will easily integrate with anything that utilizes contact closures. Because of this, many AV professionals will easily be able to integrate any controller with our mechanism. Note that Wildwood will not be able to map custom integrations beyond those that are provided below. Any other system will require an on-site professional with expertise in contact closures.

Pin Layout and Description

Version with 3 pin socket:



Version with 4 pin socket:



Pin Description:

Pin	Description
1	Control signal: pull in system (is internally pulled-up to 5V)
2	Common (GND) for both signals
3	Control signal: pull out system (is internally pulled-up to 5V)

Truth table:

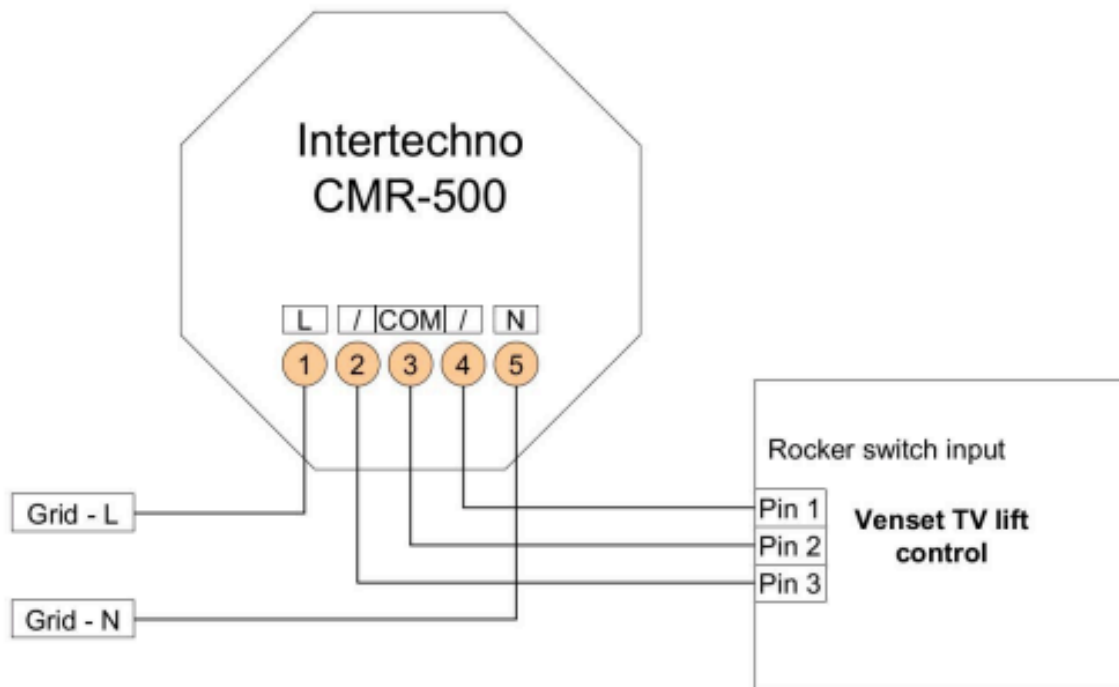
Pin 1 – Pin 2	Pin 3 – Pin 2	Operation
Open	Open	None
Open	Closed	Pull in
Closed	Open	Pull out
Closed	Closed	None



Intertechno - CMR-500

Manufacturer:	Intertechno
Contact:	www.intertechno.at
Part No:	CMR-500 Jalousieschalter
Compatible with control – Item No:	Remote DF019, R111900, R109980, R110080, R119320, R119090, R112210,

Connection diagram:



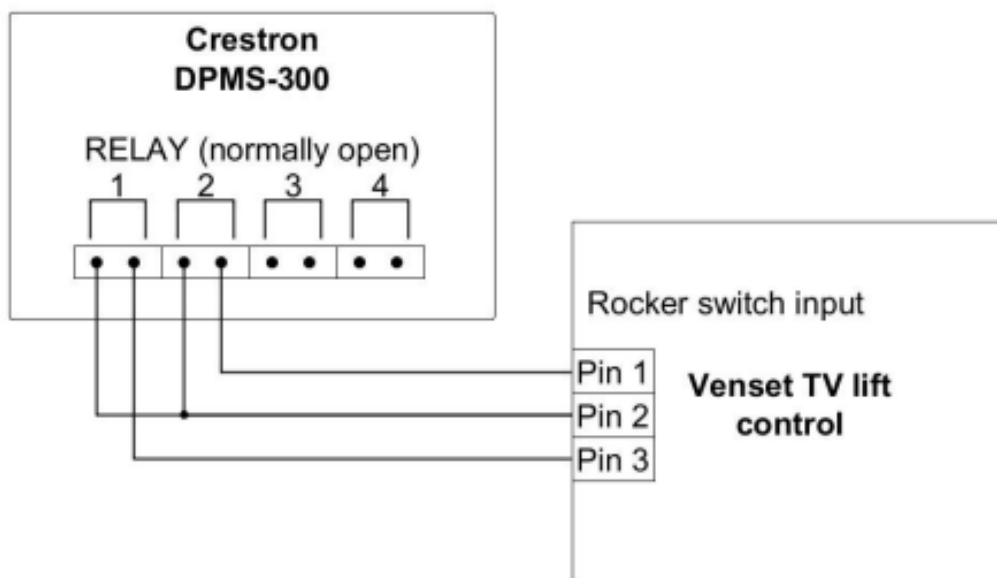
Description:

The Intertechno CMR-500 module is a 434MHz RF jalousie control system that can be used to control different TV lifts based on the listed control units. The CMR-500 gets connected to Rocker switch input and the wiring diagram is shown in the picture above. To reverse the operation direction of the TV lift, swap the cables Pin 1 and Pin 3 of the Venset TV lift control.

Crestron - DMPS-300-C

Manufacturer:	Crestron
Contact:	www.crestron.com
Part No:	DMPS-300-C
Compatible with control – Item No:	Remote DF019, R111900, R109980, R110080, R119320, R119090, R112210,

Connection diagram:



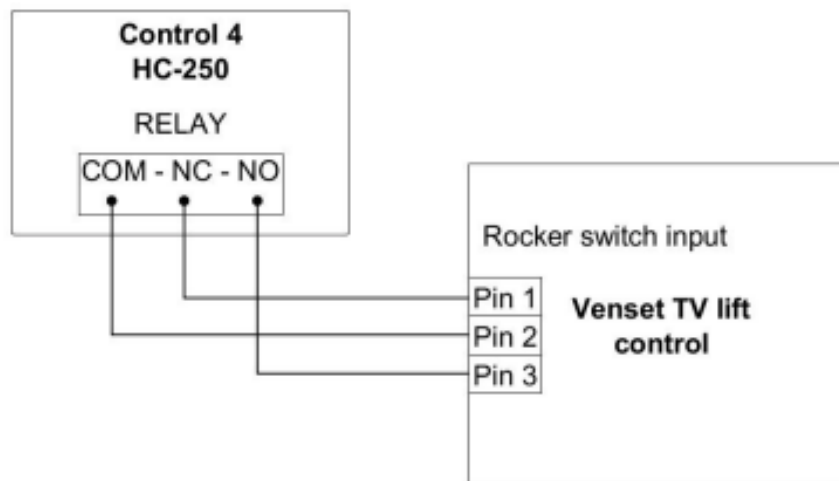
Description:

The Crestron DPMS-300-C is an advanced presentation system with relay outputs and The DPMS-300-C gets connected to Rocker switch input and the wiring diagram is shown in the picture above. To reverse the operation direction of the TV lift, swap the cables Pin 1 and Pin 3 of the Venset TV lift control.

Control4 - HC-250

Manufacturer:	Control4
Contact:	www.control4.com
Part No:	HC-250 Controller
Compatible with control – Item No:	Remote DF019, R111900, R109980, R110080, R119320, R119090, R112210,

Connection diagram:



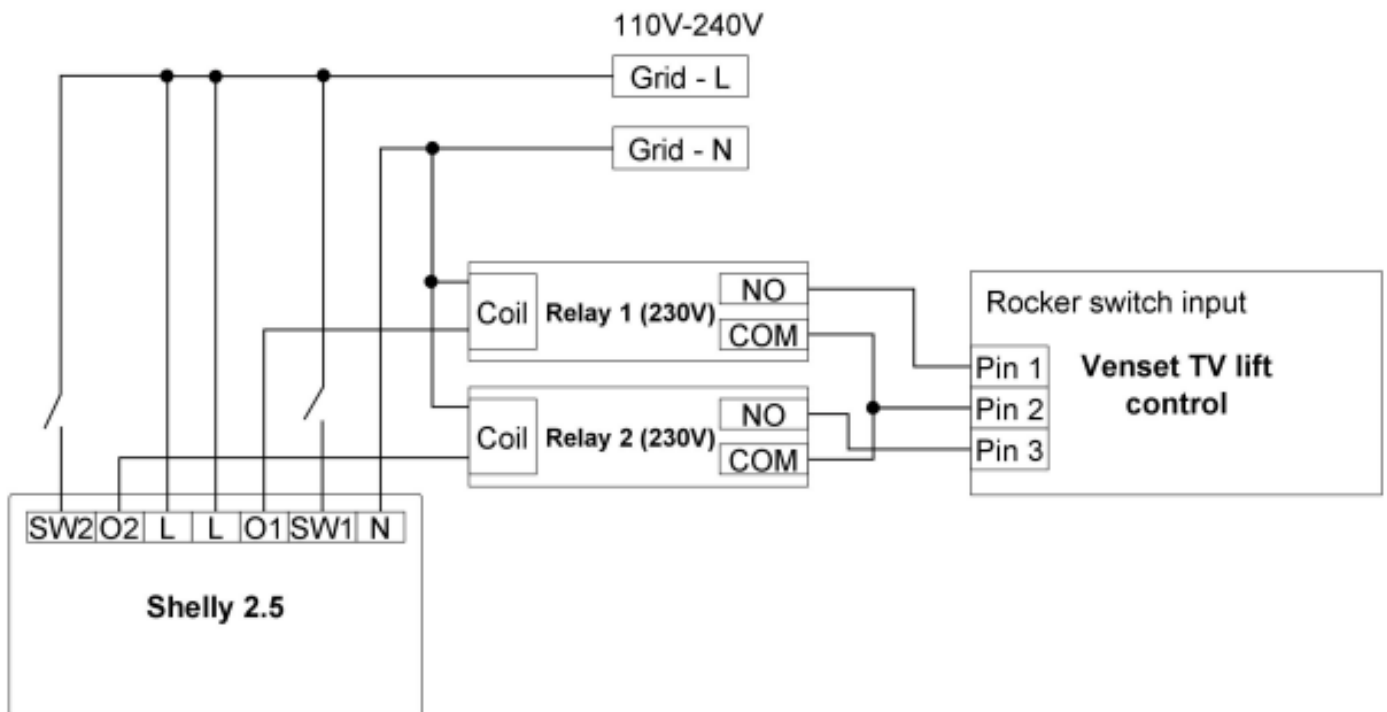
Description:

The Control4 HC-250 is a home automation system with a relay output. The HC-250 gets connected to Rocker switch input and the wiring diagram is shown in the picture above. Because one control direction is always active, the TV lift will always move until it reaches an end position. After 60s, the Venset TV lift control disables the internal relays. To reverse the operation direction of the TV lift, swap the cables Pin 1 and Pin 3 of the Venset TV lift control.

Shelly 2.5

Manufacturer:	Shelly Europe
Contact:	https://shop.shelly.cloud
Part No:	Shelly 2.5 – CE + UL
Compatible with control – Item No:	Remote DF019, R111900, R109980, R110080, R119320, R119090, R112210,

Connection diagram:



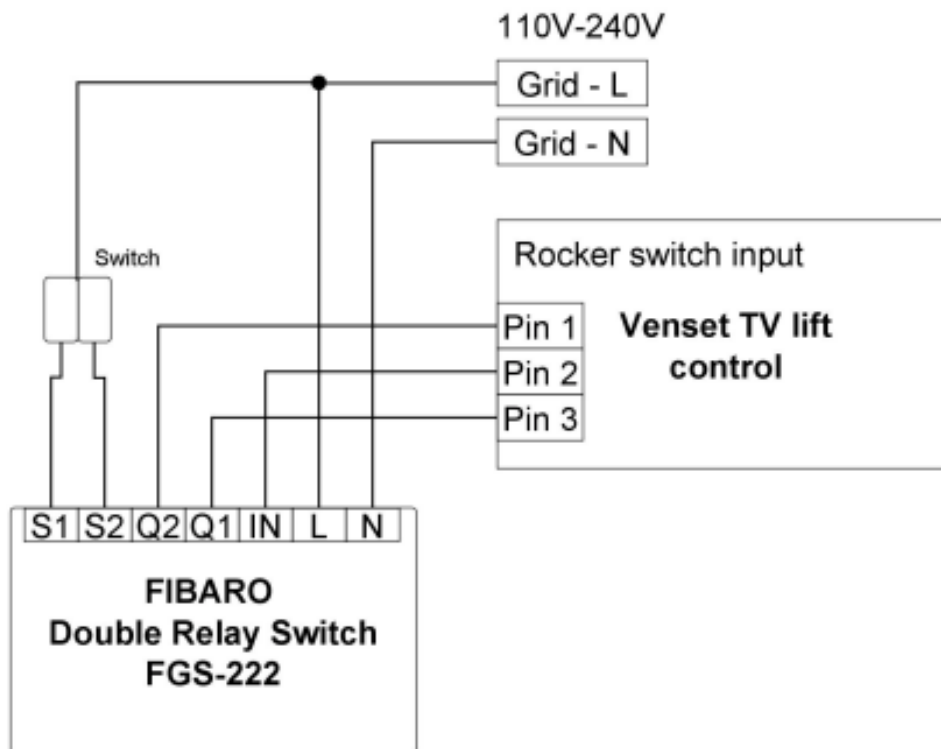
Description:

The Shelly 2.5 doesn't have galvanic isolated outputs and therefore requires 2 additional external relays. To reverse the operation direction of the TV lift, swap the cables Pin 1 and Pin 3 of the Venset TV lift control.

FIBARO Double Relay Switch

Manufacturer:	FIBARO
Contact:	www.fibaro.com
Part No:	FGS-222
Compatible with control – Item No:	Remote DF019, R111900, R109980, R110080, R119320, R119090, R112210,

Connection diagram:



Description:

The Fibaro FGS-222 is an advanced presentation system with relay outputs and The FGS-222 gets connected to Rocker switch input and the wiring diagram is shown in the picture above. To reverse the operation direction of the TV lift, swap the cables Pin 1 and Pin 3 of the Venset TV lift control.

Questions?

Our team is happy to assist you.

Ph: (801) 901-8249

@: contact@wildwoodtvliftfurniture.com

www.wildwoodtvliftfurniture.com

BUILD YOUR HAPPY PLACE.

Version 1.16.2024



Wildwood
TV LIFT FURNITURE

a **Wilding Wallbeds** company