

# Wildwood

TV LIFT FURNITURE


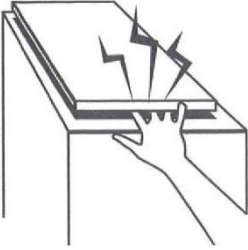


## 360° SWIVELING MECHANISM TV BED SETUP INSTRUCTIONS



# Safety Information

**SEVERE PERSONAL INJURY AND PROPERTY DAMAGE CAN RESULT FROM IMPROPER INSTALLATION OR ASSEMBLY. READ THE FOLLOWING WARNINGS BEFORE BEGINNING**

 <p><b>TV HAZARD</b></p>	 <p><b>CABINET TOP HAZARD</b></p>
<p><b>Caution:</b> Avoid contact with the TV and Lift System during operation. Use with caution.</p>	<p><b>Caution:</b> The cabinet lift top must be installed as described in the instructions, using the Steel Threaded Tapered Pins. Installing the cabinet top in any other fashion will create hazardous pinch points that can cause serious personal injury.</p>

## Warnings:

1. Do not use this product for any application other than those specified by these instructions.
2. Do not exceed the weight capacity (80lbs). This can result in serious personal injury or damage to equipment or cabinet. It is the installer's responsibility to ensure that the weight of all attached components does not exceed that of the maximum figure stated.
3. Follow all technical specifications and instructions during the installation.
4. Only use attachments/accessories specified by the manufacturer.
5. Close supervision is necessary when this system is being used by, or near children, or disabled persons.
6. Read all technical instructions fully before installation and use. It is the installer's responsibility to ensure that all documentation is passed on to the users and read fully before operation.
7. Risk of electric shock. Do not attempt to open the Control Box.
8. To reduce the risk of fire or electric shock, do not expose parts to rain or other liquids.
9. Protect the power cord from being walked on or pinched.
10. Keep all documentation.
11. Heed all warnings.
12. Clean only with a dry cloth
13. Anti-tip hardware must be used to secure the TV Lift Footboard if used on a standalone basis.
14. Refer all service questions to Wildwood TV Lift Furniture if the system does not operate normally.

Wildwood TV Lift Furniture ("Wildwood") disclaims any liability for modifications, improper installations, or installations over the specified weight range. Wildwood will not be liable for any damages arising out of the use of, or inability to use this products. Wildwood bears no responsibility for incidental or consequential damages. This includes but is not limited to, any labor charges for the servicing of Wildwood products performed by anyone other than Wildwood.

Wildwood intends to make this, and all documentation as accurate as possible. However, Wildwood makes no claim that the information contained herein covers all details, conditions, or variations, nor does it provide for every possible contingency in connection with the installation or use of this product. The information contained in this documentation is subject to change without prior notice or obligation of any kind. Wildwood makes no representation or warranty, expressed or implied, regarding the information contained herein. Wildwood assumes no responsibility for the accuracy, completeness, or sufficiency of the information contained in this document.

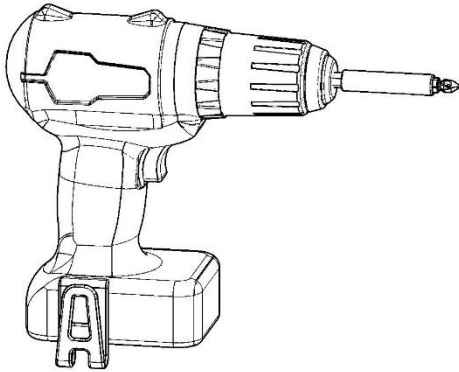
## Contents

Tools Needed.....	iii
Bed Assembly: Steps 1 - 3 .....	1
Mechanism Assembly: Steps 4 - 14.....	6
Mounting the Lid: Steps 16 - 17 .....	15
TV Mounting: Steps 18- 22.....	18

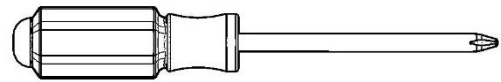
For any questions or concerns during the installation process, please contact our customer service team at (866) 725-6401.

# Tools Needed

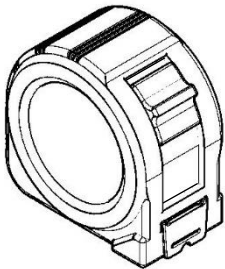
Power Screwdriver



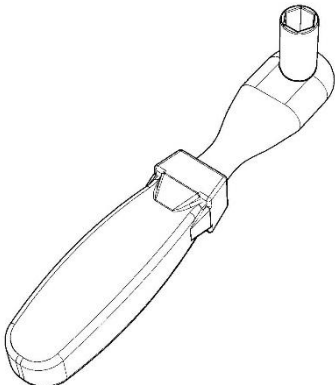
Phillips Head  
Screwdriver



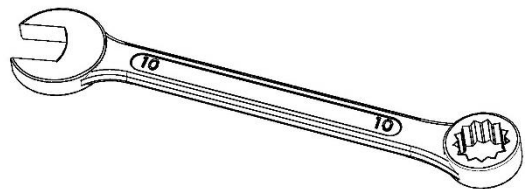
Tape Measure



10 mm Socket



OR

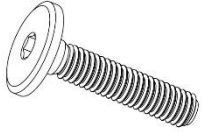


## Bed Assembly: Steps 1- 3

30mm Furniture Screw

Hardware

(11)



The headboard will have one of two different construction methods, based on the style of headboard. Non-column style headboards will follow Option A while column style headboards will follow Option B.

### Step 1: Headboard Assembly

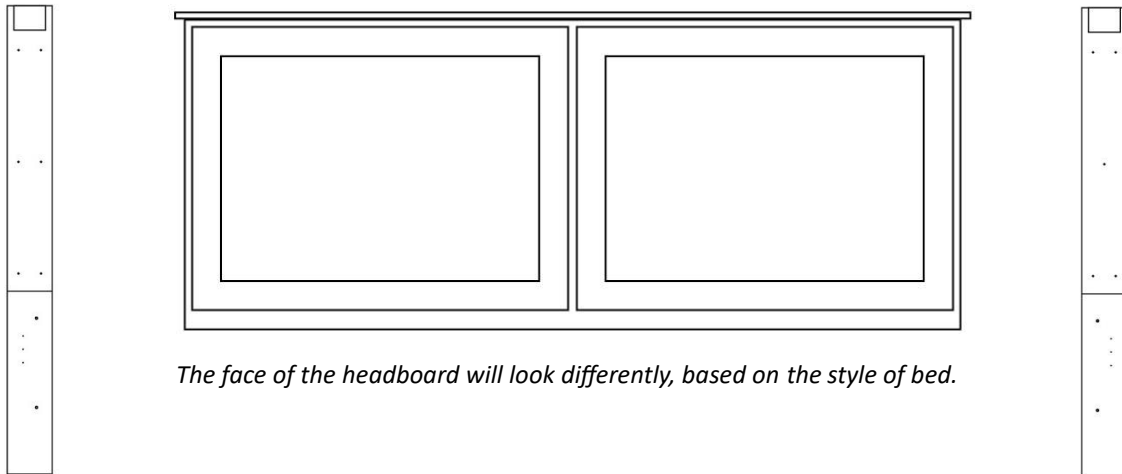
Option A

Locate the Headboard and Columns.

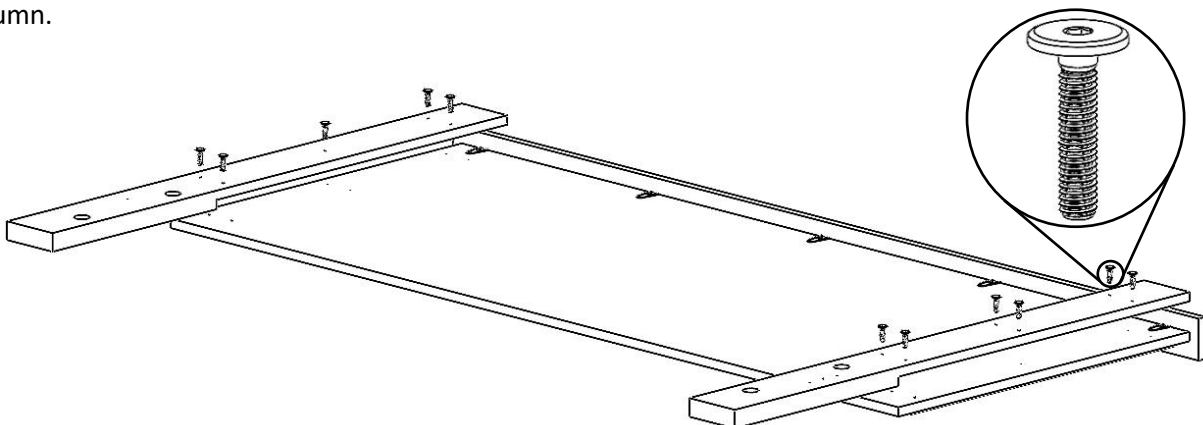
Left Column

Headboard

Right Column

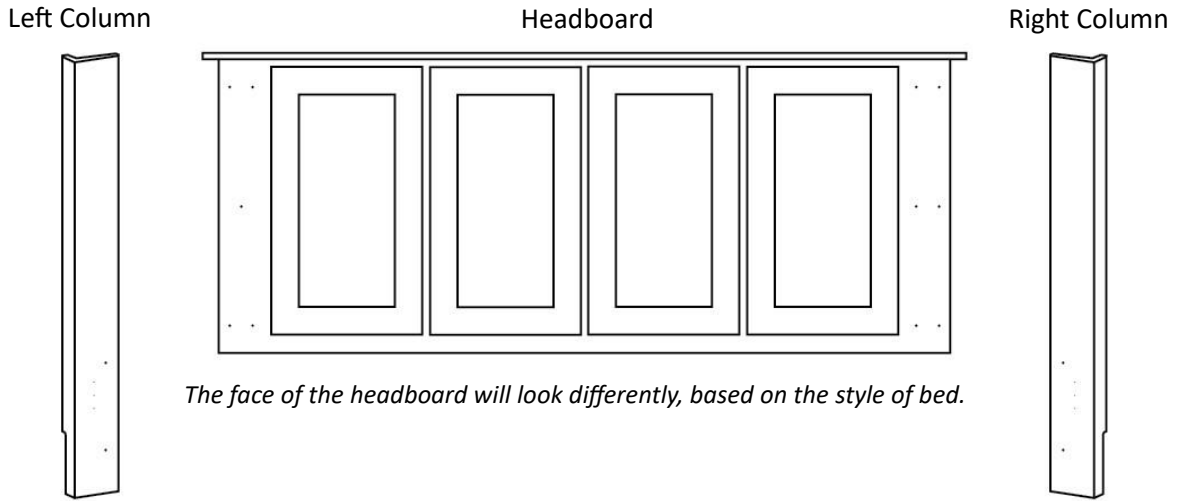


Lay the Headboard Panel flat on the ground, face down. Use the 30mm Furniture Screws to attach the columns to the back of the Headboard Panel, as illustrated. Use 5 furniture screws on the right column, and 6 furniture screws on the left column.

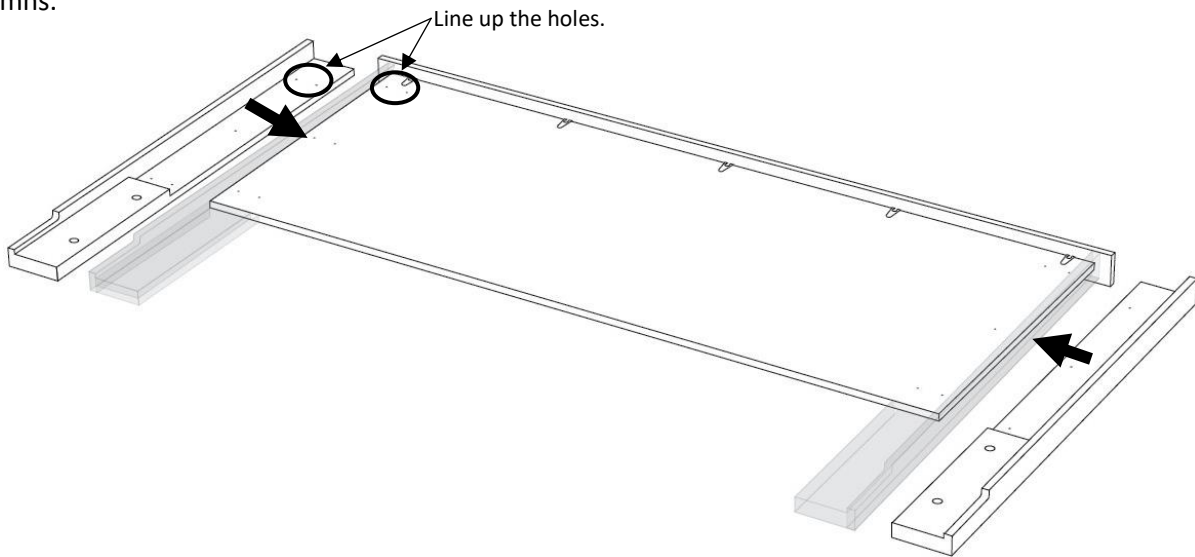


Option B

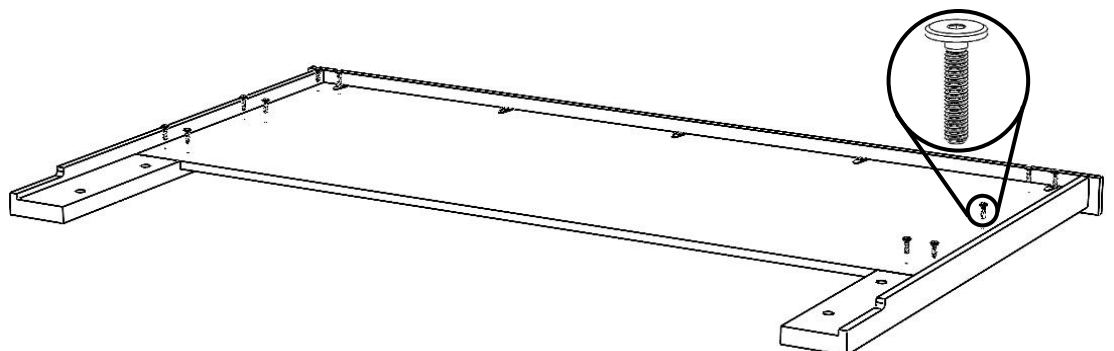
Locate the Headboard and Columns.



Lay the Headboard Panel flat on the ground, face down. Slide the Columns underneath so the headboard is resting on the columns.



Use the 30mm Furniture Screws to attach the columns to the front of the Headboard Panel, as illustrated. Use 5 furniture screws on the right column, and 6 furniture screws on the left column.



## Hardware

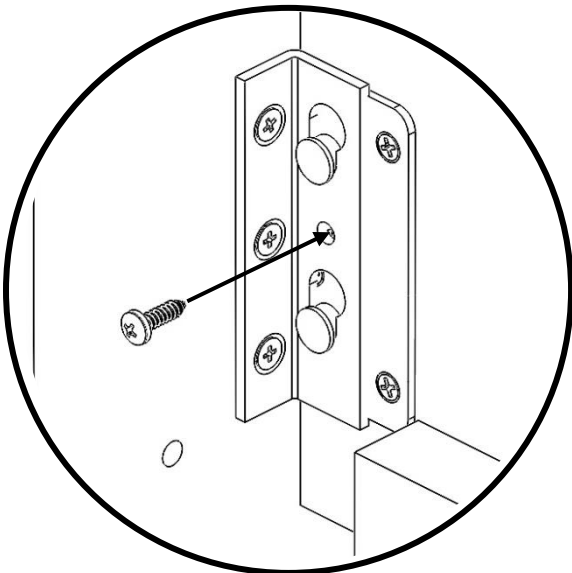
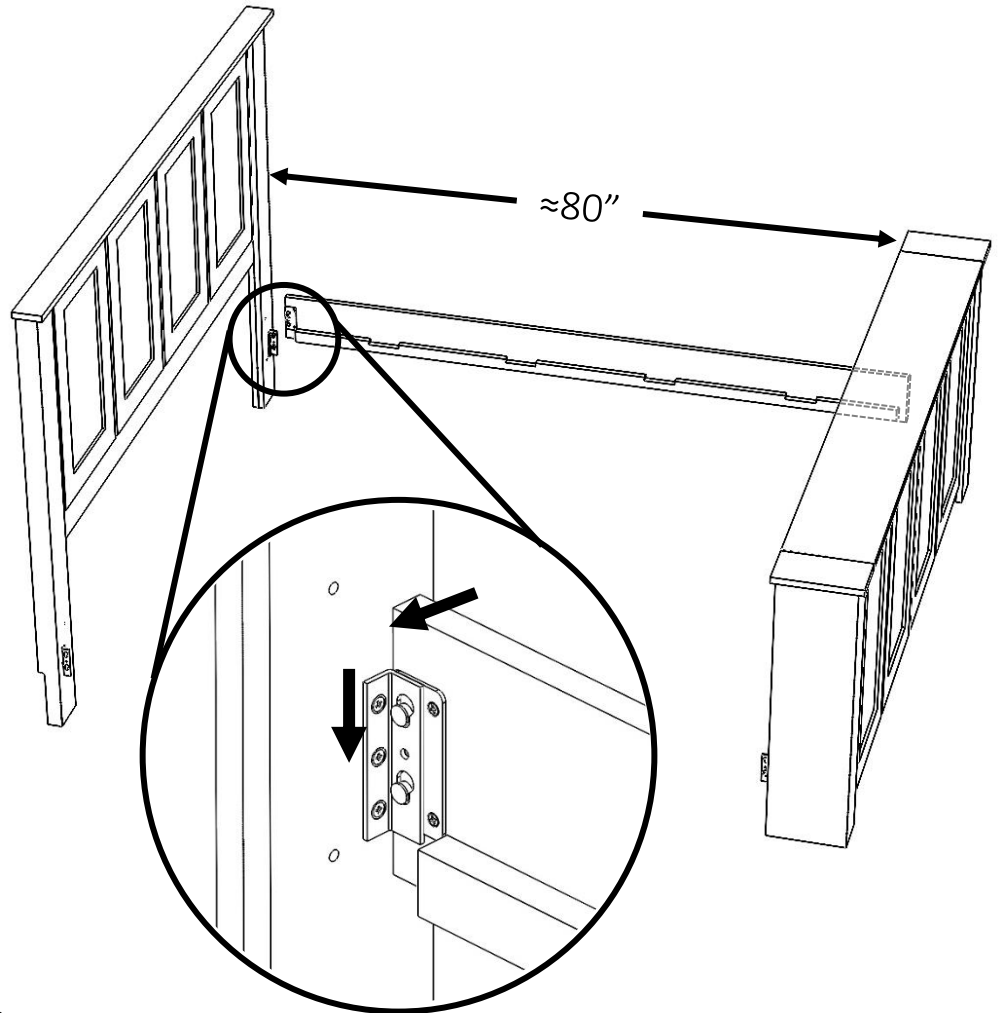
$\frac{5}{8}$ " Pan-head Screw

(4)

**Step 2: Side Rails**

Set the Headboard and Footboard in the intended place in your room. Orient the Headboard and Footboard as illustrated, approximately 80" apart.

Attach the Side Rails to the Headboard and Footboard.

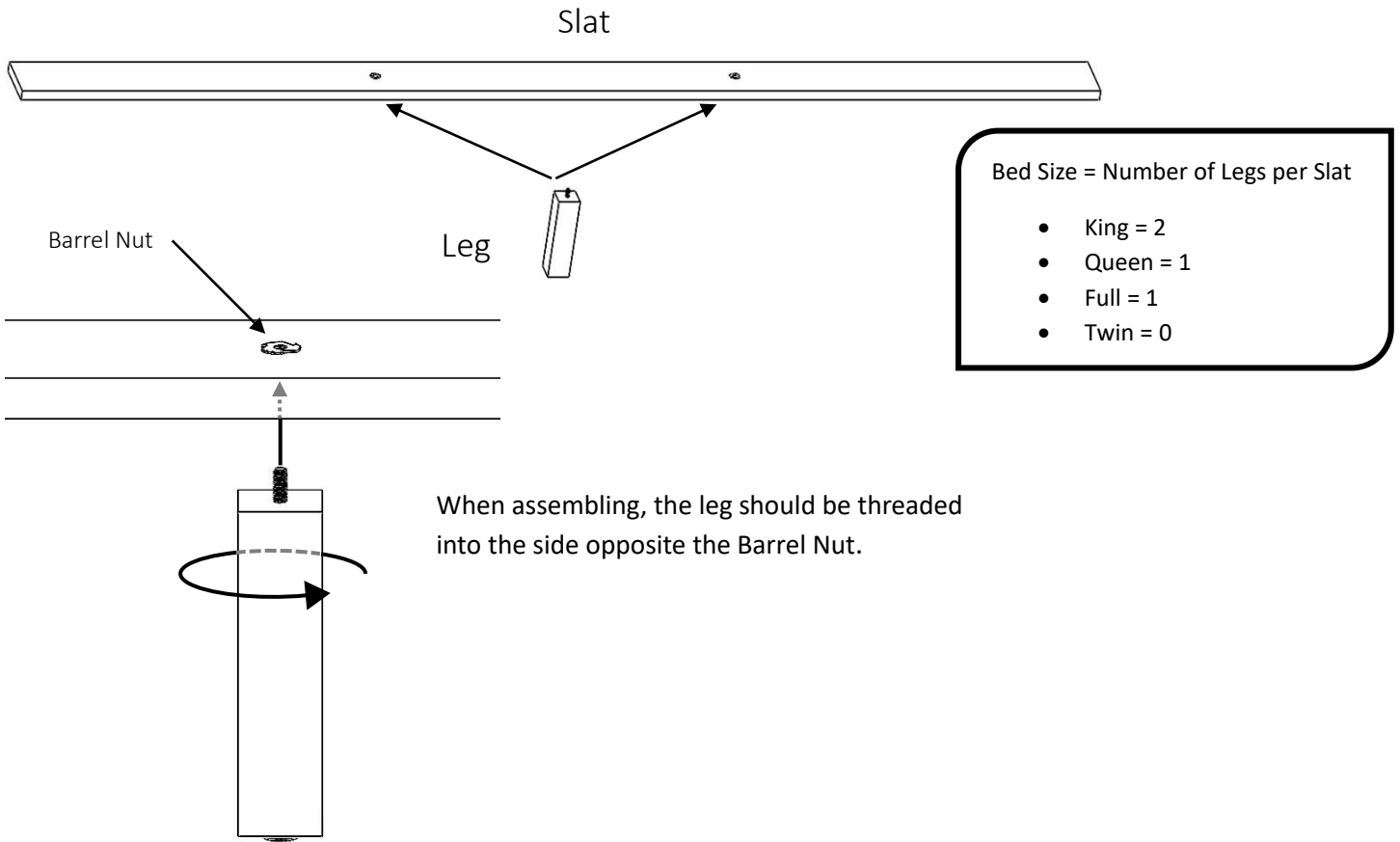


Once the Side Rails are in place, use 4 of the  $\frac{5}{8}$ " Pan-head Screws (one in each corner) to secure them to the Headboard and Footboard.



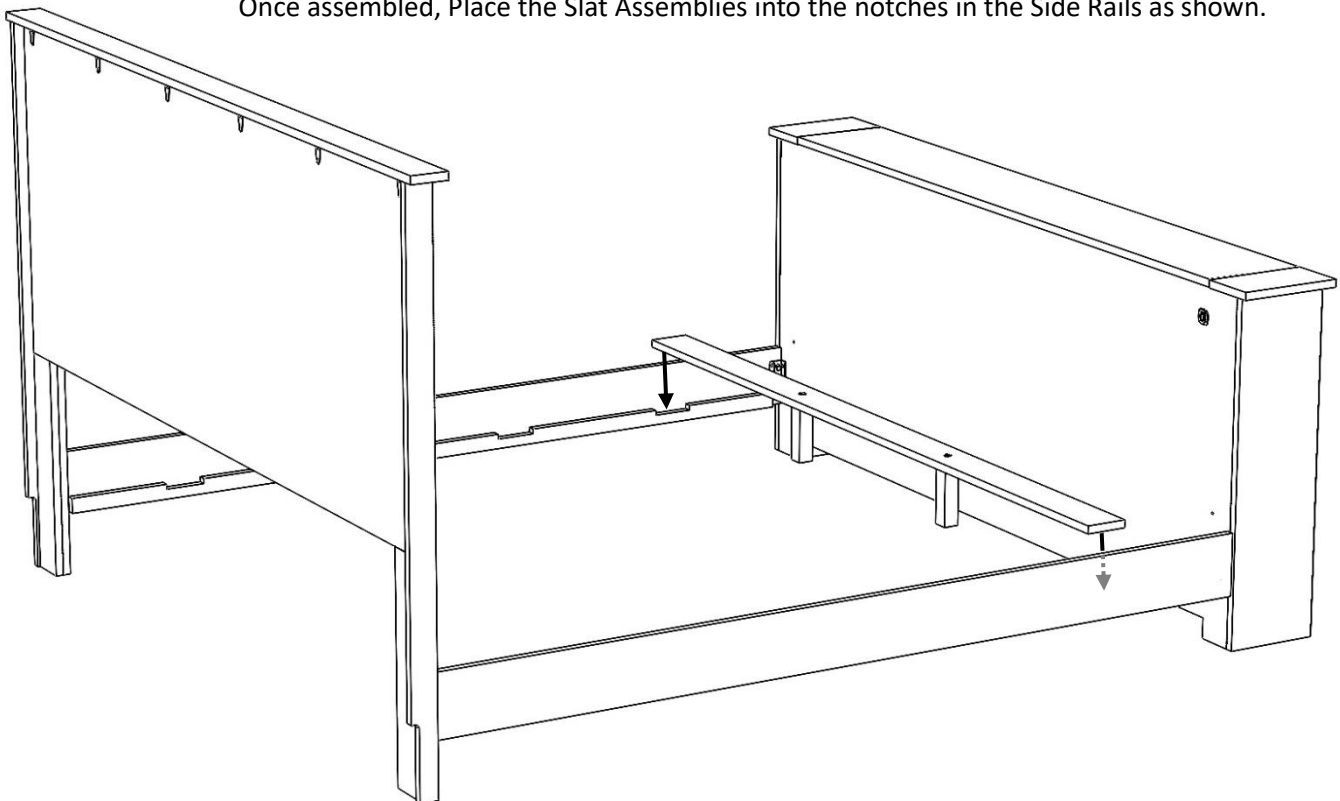
### Step 3: Slat Legs

Locate and assemble the 4 Slats and the Legs



When assembling, the leg should be threaded into the side opposite the Barrel Nut.

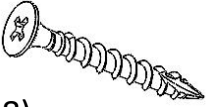
Once assembled, Place the Slat Assemblies into the notches in the Side Rails as shown.



---

Hardware

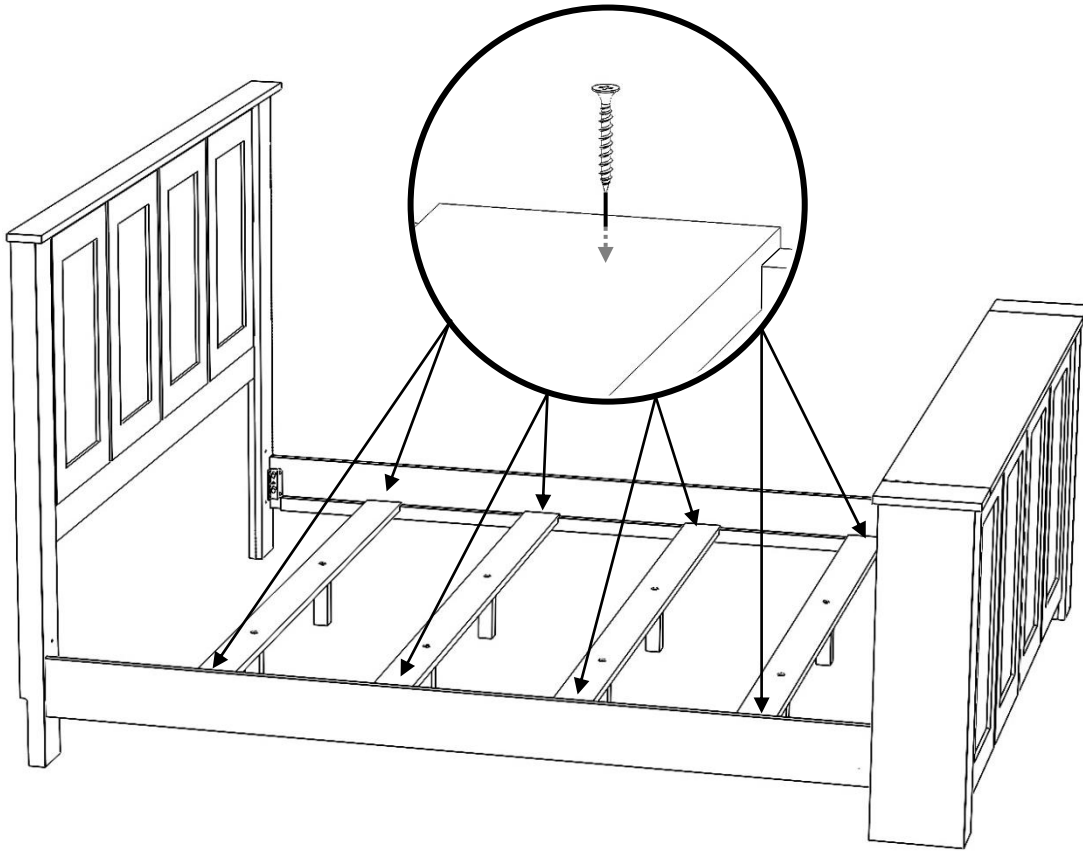
1 1/4" Wood Screw



(8)

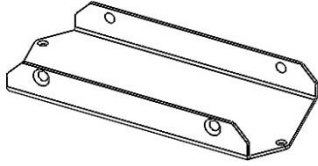
---

Screw the Slat Assemblies to the Side Rails using 8 of the 1 1/4" Wood Screws.



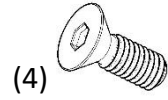
## Mechanism Assembly: Steps 4- 14

Lift Column Base



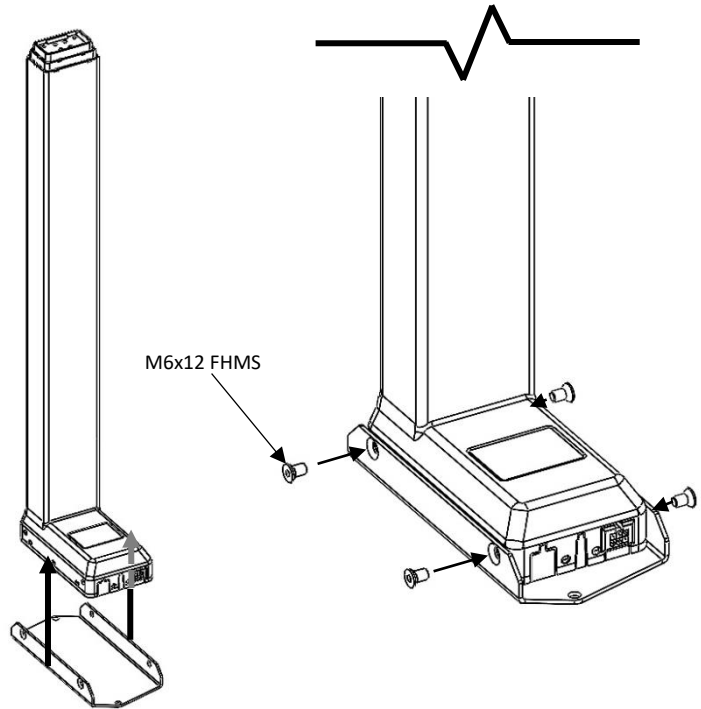
Hardware

M6x12 FHMS

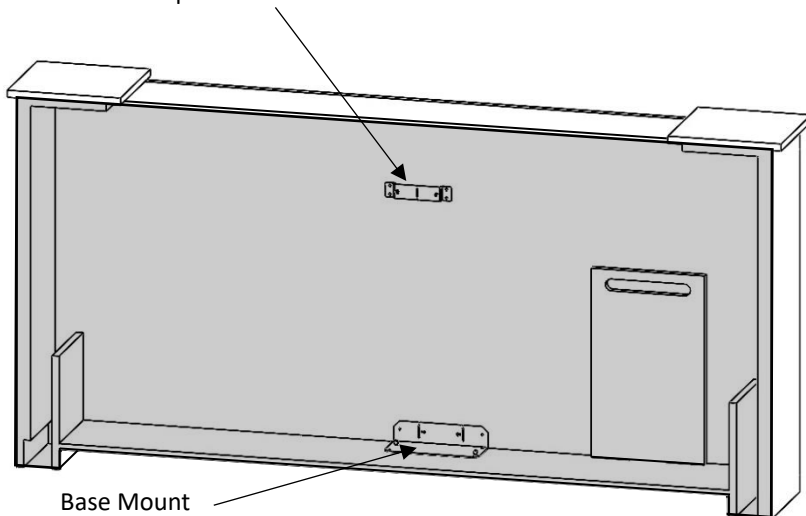


### Step 4: Lift Column Base

Place the Lift Column Base at the base of the Lift Column. Once in place, attach the Lift Column Base to the Lift Column using four M6x12 FHMS.



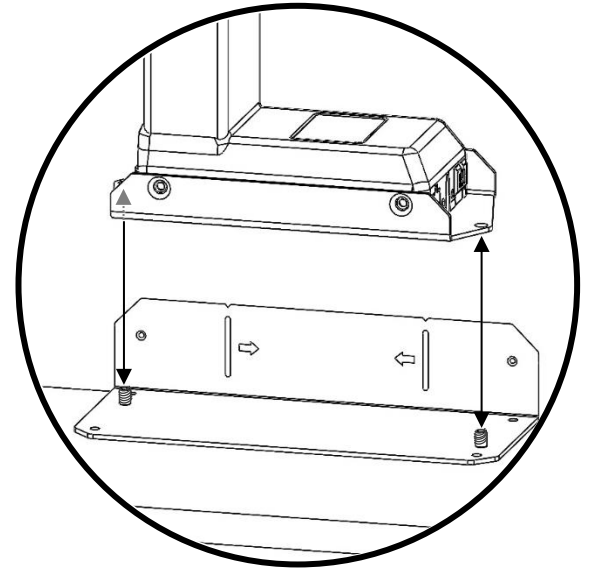
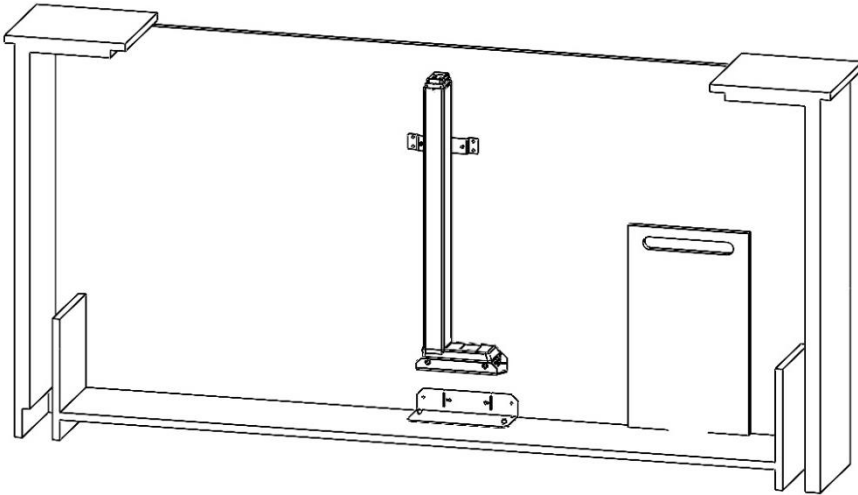
Column Clamp Base



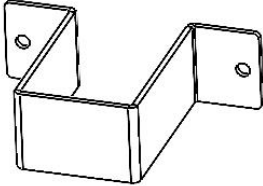
### Step 5: Lift Column

Inside of the Footboard there is some pre-installed hardware. The Lift Column will attach to this hardware.

Place the Lift Column inside of the Footboard as illustrated. Align the holes in the Lift Column Base with the threaded posts in the Base Mount.

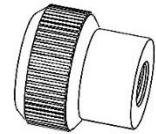


Column Clamp Extension



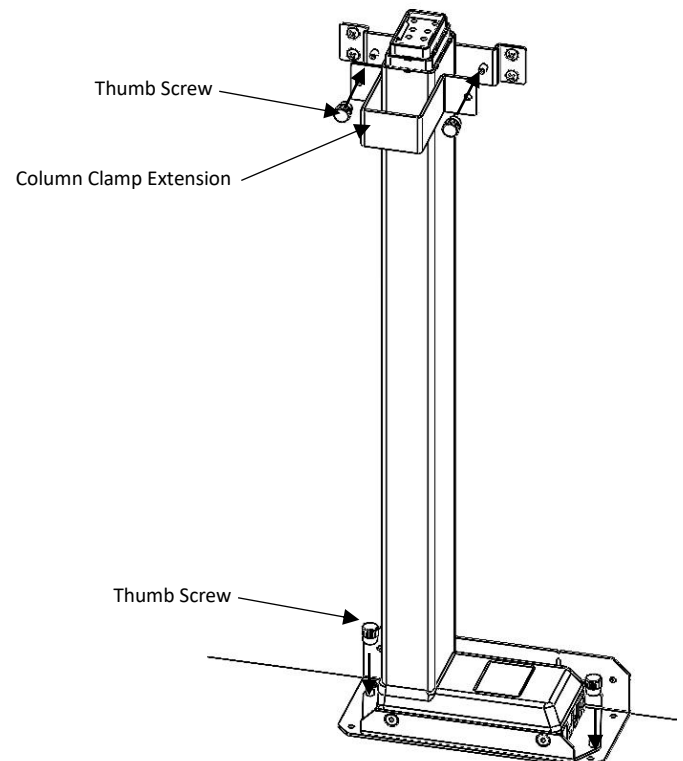
Hardware

Thumb Screw



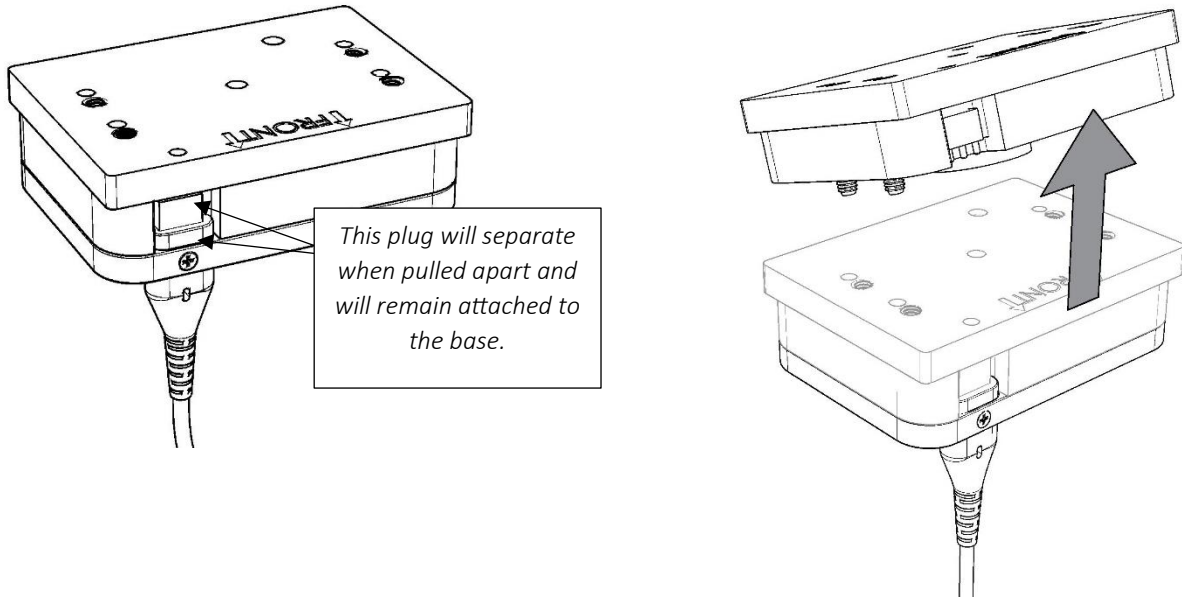
### Step 6: Column Clamps

Slip the Column Clamp Extension around the Lift Column lining up the holes in the Column Clamp Extensions with the threaded posts in the Column Clamp Base. Attach the Lift Column to Footboard using Thumb Screws on the threaded posts.



### Step 7: Separating the Swivel Mechanism

Locate the Swivel Mechanism. Separate the Mechanism by pulling the lower and the upper sections apart. The Swivel Cutoff Cable will remain attached to the base.



6x16 FHMS

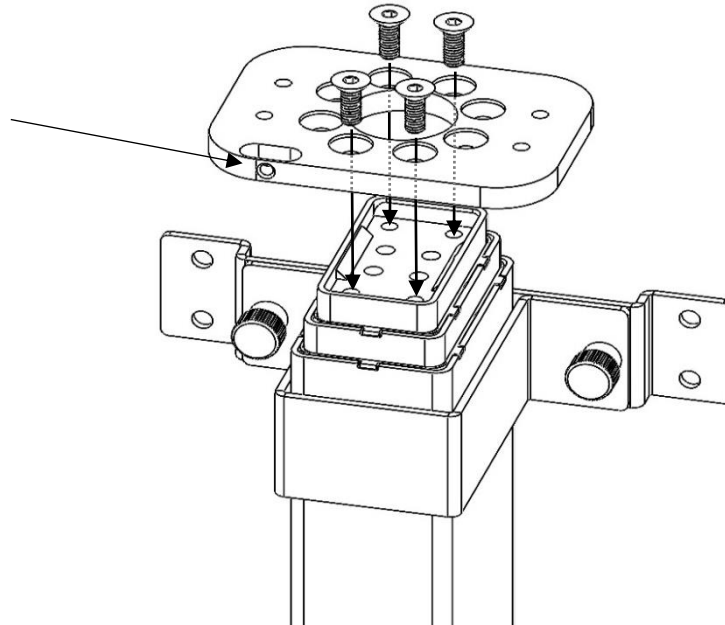
Hardware



### Step 8: Swivel Mechanism Base

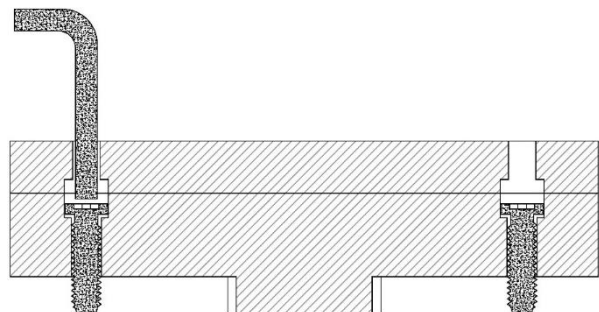
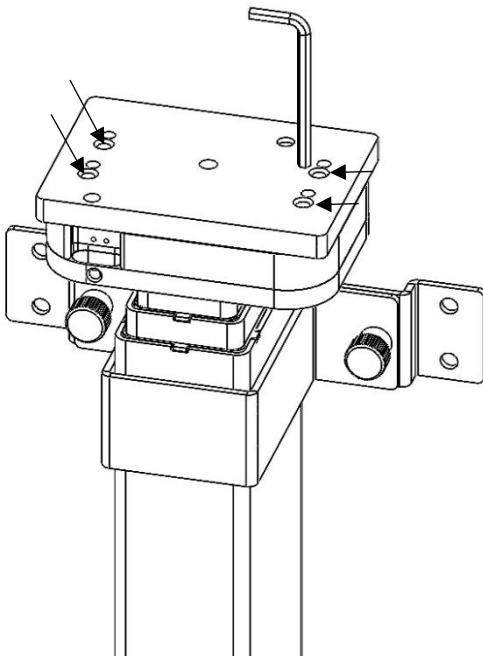
Attach the lower portion of the Swivel Mechanism to the top of the Lift Column using four 6x 16 FHMS.

Though not shown in this image, the wire and plug that is screwed to this part should still be attached.



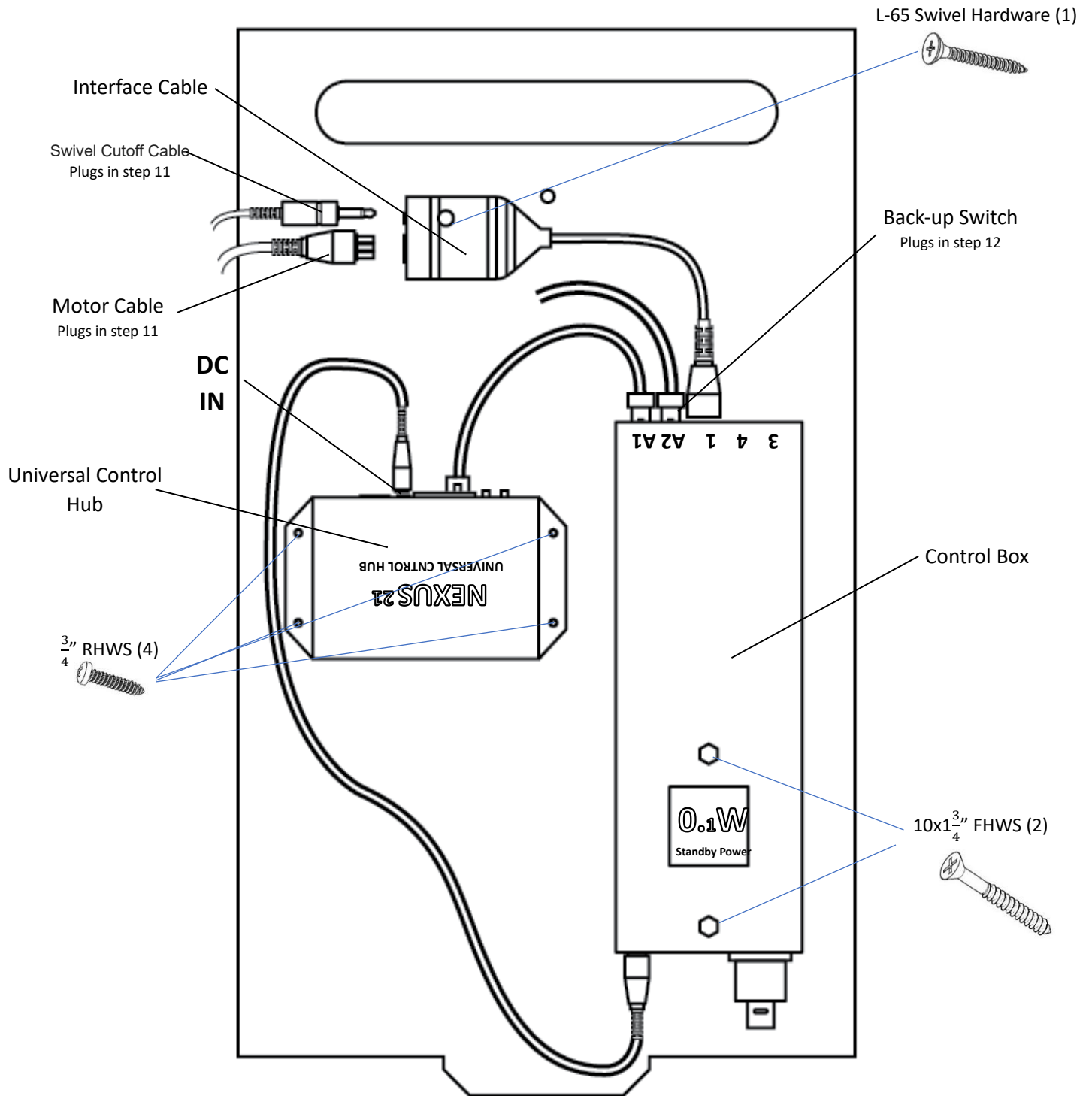
### Step 9: Swivel Mechanism Assembly

Put the Swivel Mechanism back together and secure it using the factory-installed screws, set inside the mechanism. Use the small hex key in the unthreaded holes to tighten the screws.



### Step 10: Electronics

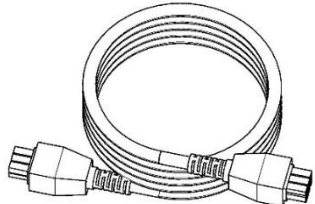
The Electronics Panel is a component located inside the footboard. To remove the panel fuse a small hex key (Allen wrench). Be sure to save the furniture screw for reinstallation. Refer to the diagram below to connect the electronics to the panel. Afterward, plug the cords into the Control Box as shown



---

## Hardware

Motor Cable



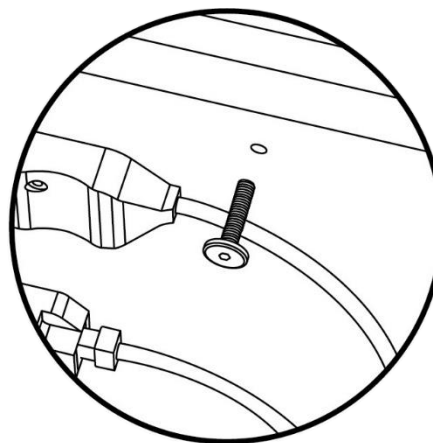
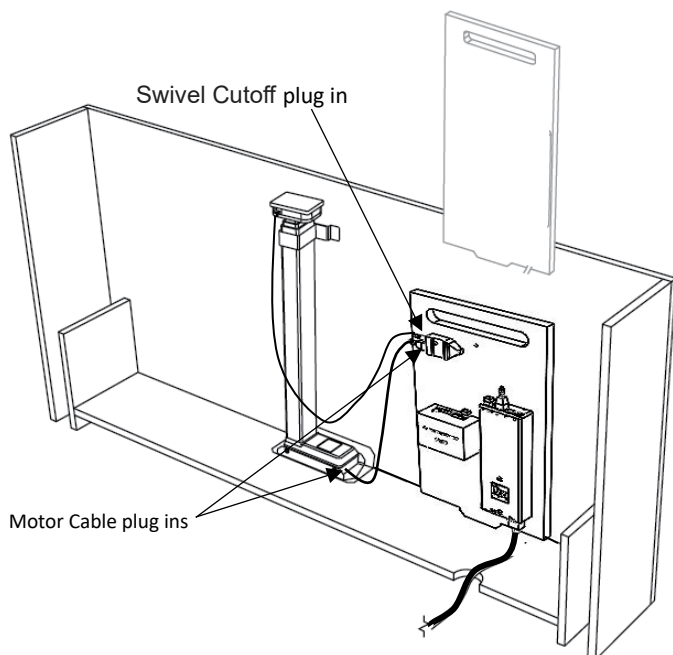
30mm Furniture Screw



---

### Step 11: Electronics Panel

Set the Electronics Panel back into the footboard aligning the tab on the bottom of the panel with the cut out in the bottom of the footboard. Then, re-use the 30mm furniture screw to attach the Electronics Panel to the footboard face.

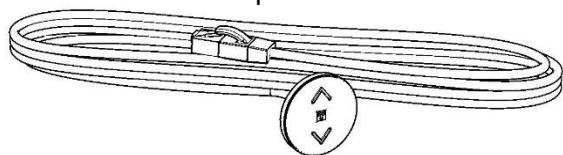


Once the Electronics Panel is installed, Plug the Motor Cable into the the Interface Cable and in to the base of the Lift Column.

---

## Hardware

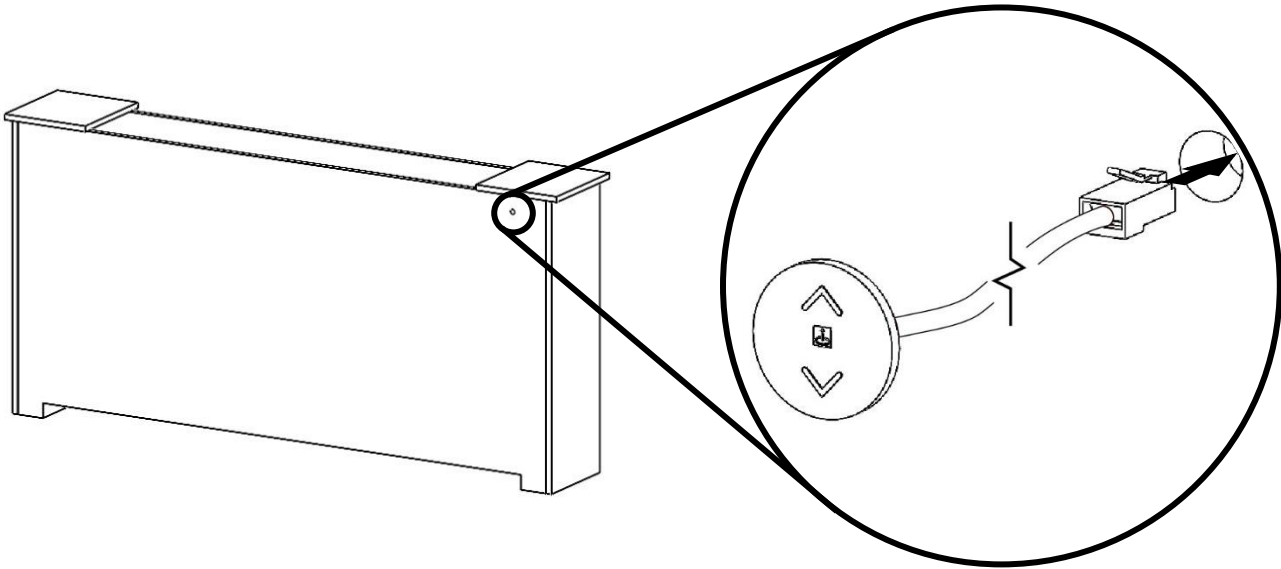
Backup Switch



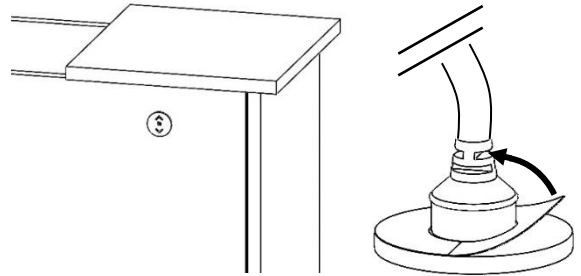


**Step 12: Backup Switch**

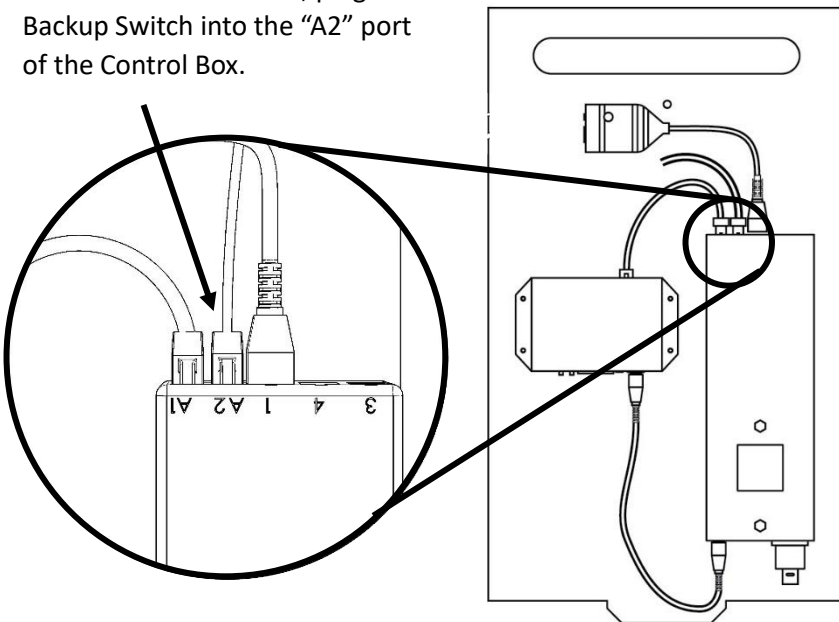
Feed the wire of the Backup Switch through the hole cut into the back of the Footboard.



Peel the paper off the back up the switch and stick the switch to the back of the Footboard

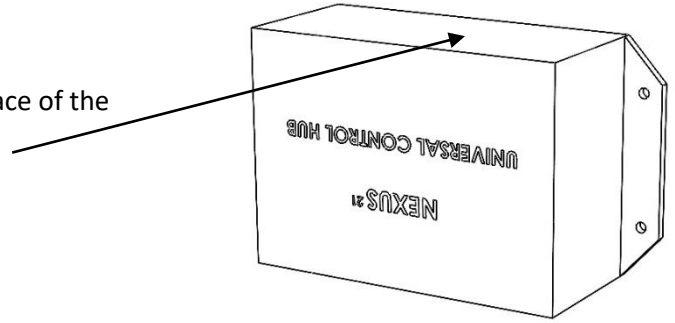


Inside of the Footboard, plug the Backup Switch into the "A2" port of the Control Box.



### Step 13: Lift Initialization

To perform the initialization, you must access the upward surface of the Universal Control Hub.

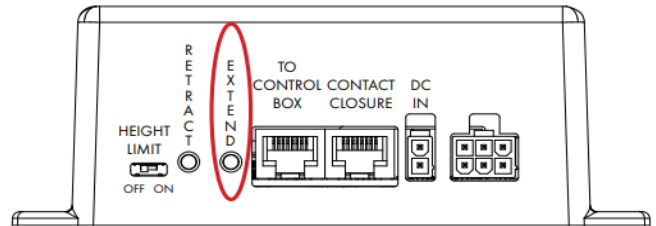
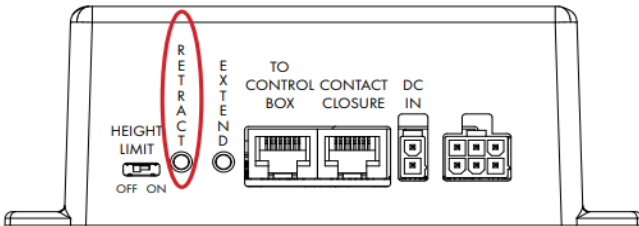


Press the retract button on the Universal Control Hub, release, then press and hold it for 5 seconds to initialize the lift.

During this time, you should observe a slight movement from your system indicating it has successfully been initialized. If you do not observe this movement, repeat this step.

Test the function of the lift system by pressing the extend button on the Universal Control Hub to raise the system fully. Once fully extended, press the retract button to lower the lift system

If you want to limit the height of the lift's extension, refer to the note below explaining how to do so.

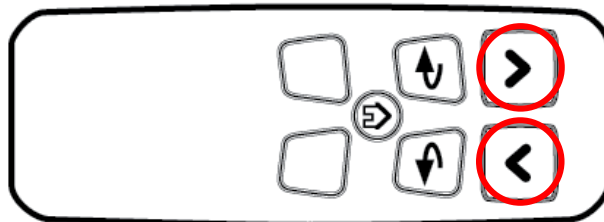


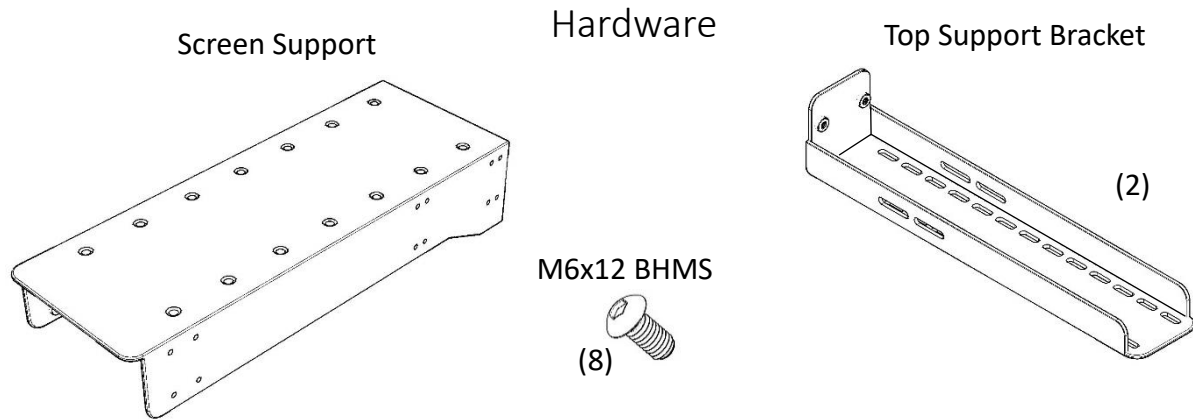
#### Height Limit

Press and hold the Extend button until the lift reaches the desired height. Wait at least 5 seconds with the target height. After that, flip the Height Limit switch to "on." The lift will not extend beyond the desired height until the height limit is turned off.

### Step 13b: Syncing the remote

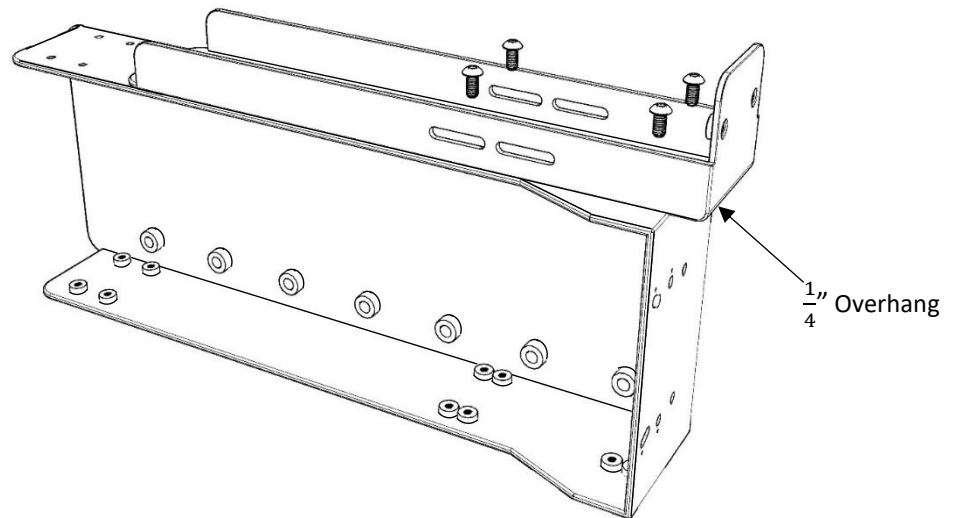
If the lift doesn't immediately respond to the remote, press and hold the up and down buttons on the remote simultaneously for five seconds to pair the remote to the lift. If after doing this, the lift still does not respond, after this step, disconnect and reconnect the DC power cable on the Universal Control Hub to put the unit back in pairing mode and repeat the previous step.





#### Step 14: Top Support Brackets

Attach the Top Support Brackets to the Screen Support using eight M6x12 BHMS. The brackets should overhang the top of the screen support by  $\frac{1}{4}$ ". Attach the Brackets to both sides of the Screen Support.



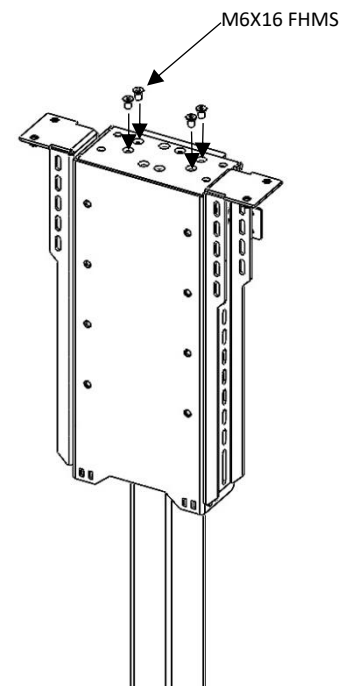
M6X16 FHMS



Hardware

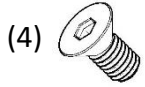
#### Step 15: Screen Support

Attach the Screen Support to the top of the Lift Column using four M6x16 FHMS.



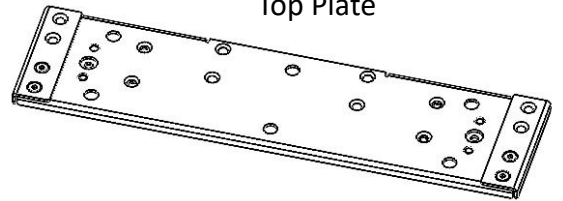
## Mounting the Lid: Steps 16- 17

M6x12 FHMS



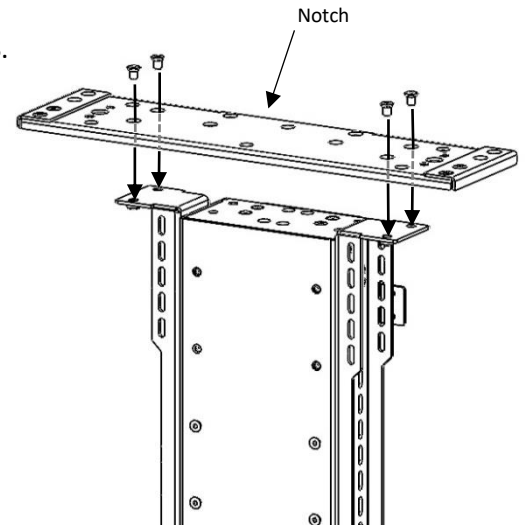
Hardware

Top Plate



### Step 16: Top Plate

Attach the Top Plate to the Top Support Brackets using four M6x12 FHMS.

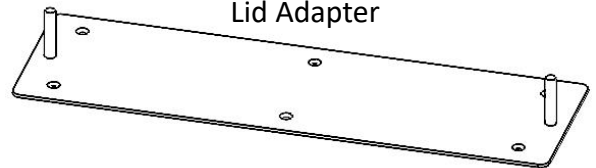


#8x $\frac{3}{4}$ " FHWS



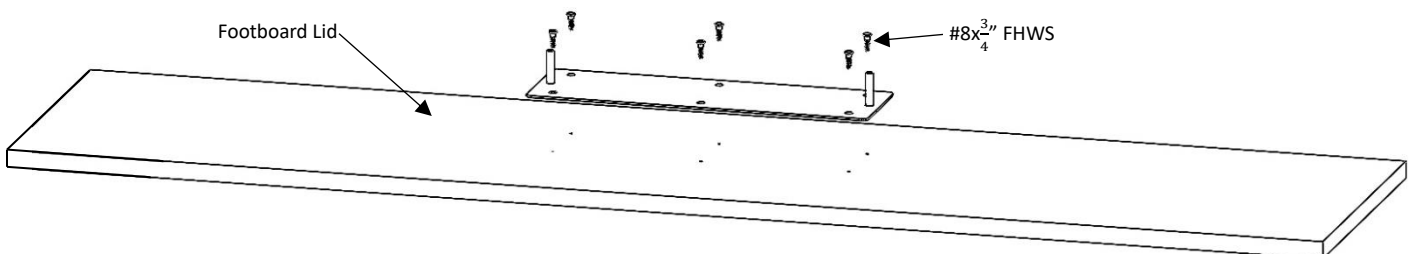
Hardware

Lid Adapter

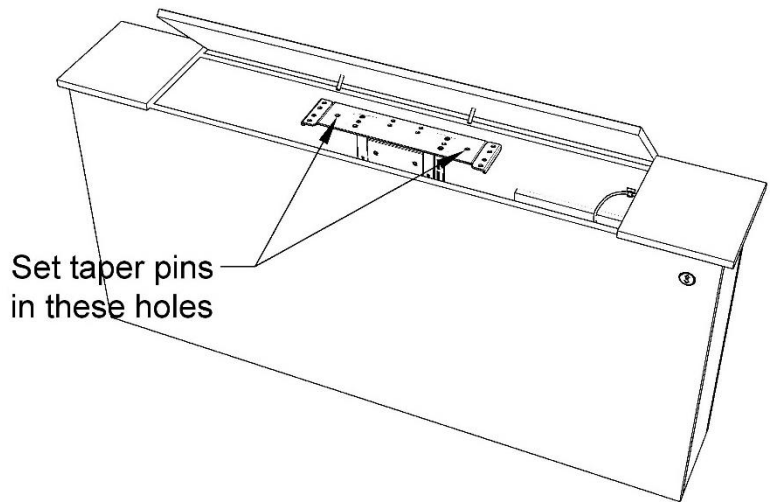


### Step 17: Footboard Lid

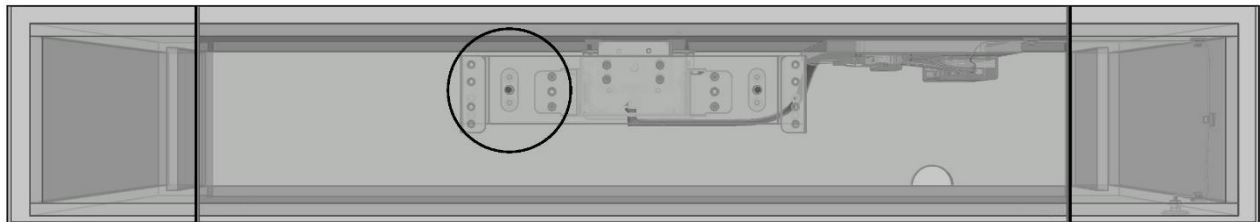
Locate the Footboard Lid. Attach the Lid Adapter to the Footboard Lid using six #8x $\frac{3}{4}$ " FHWS, aligning the holes in the Lid Adapter with the predrilled holes in the Footboard Lid.



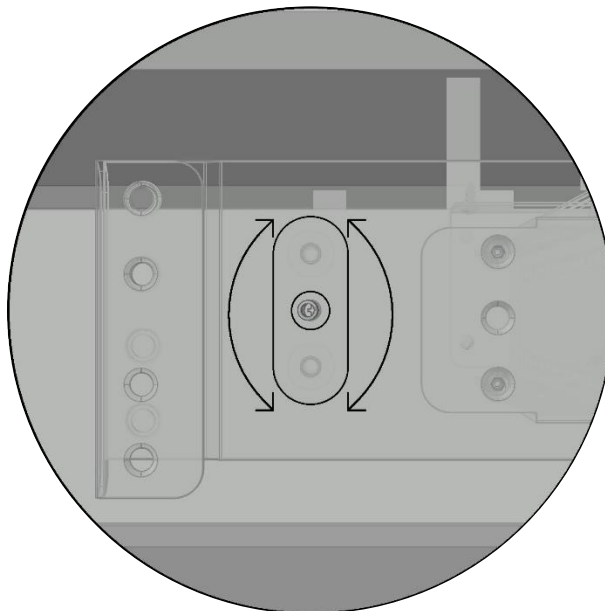
Set the Footboard Lid in place on the Footboard lining up the posts of the Lid adapter with the holes in the Top Plate as shown.



*Bird's-eye X-ray*

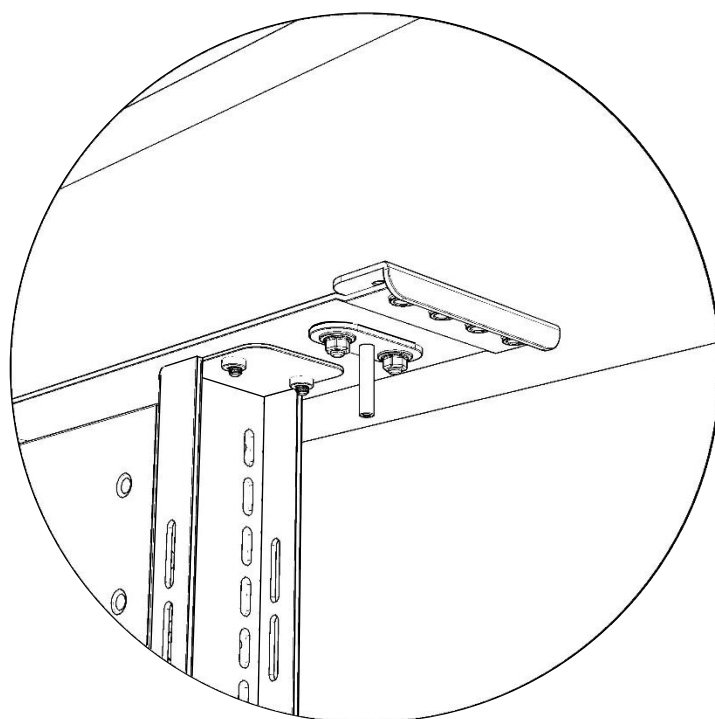
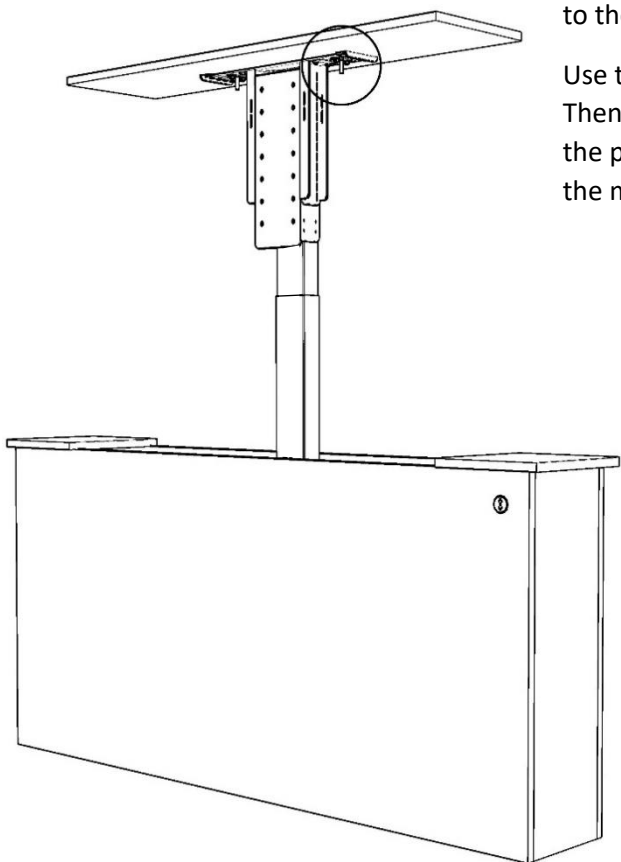


The plates around the posts are adjustable to allow alignment for the lift top. Push against the top to move the plates front to back and side to side until the top is aligned with the side tops.



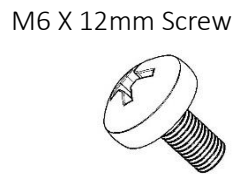
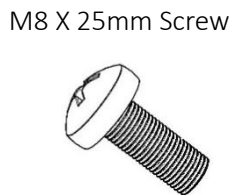
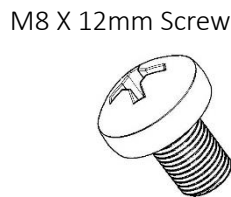
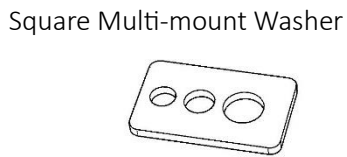
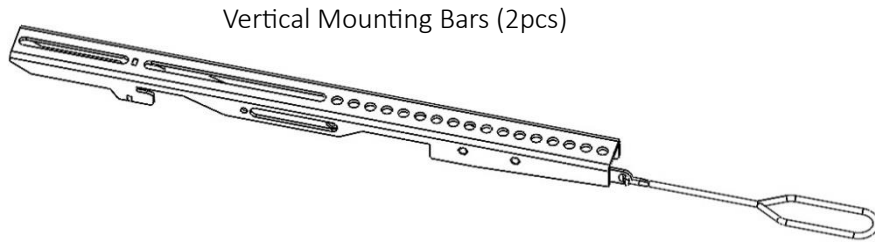
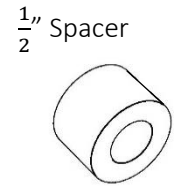
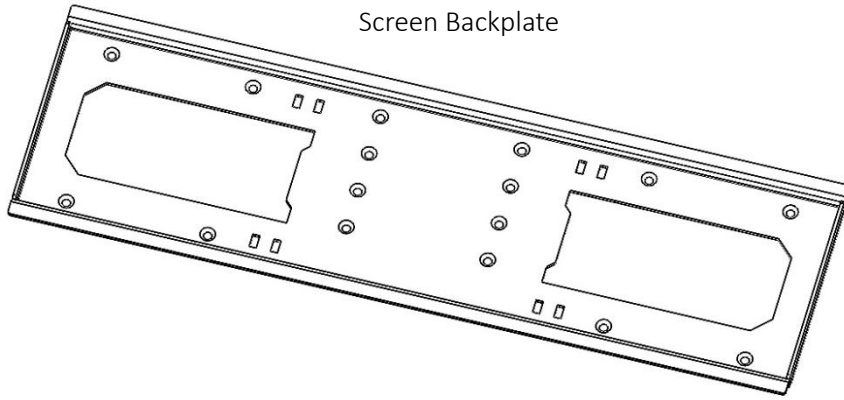
Plug the cable leading from the power strip into an outlet to get power to the mechanism.

Use the remote or the wired backup switch to raise the mechanism. Then, use a 10mm wrench or socket wrench to tighten the nuts around the posts of the Lid Adapter, doing so secures the top into position on the mechanism.



# TV Mounting: Steps 18- 22

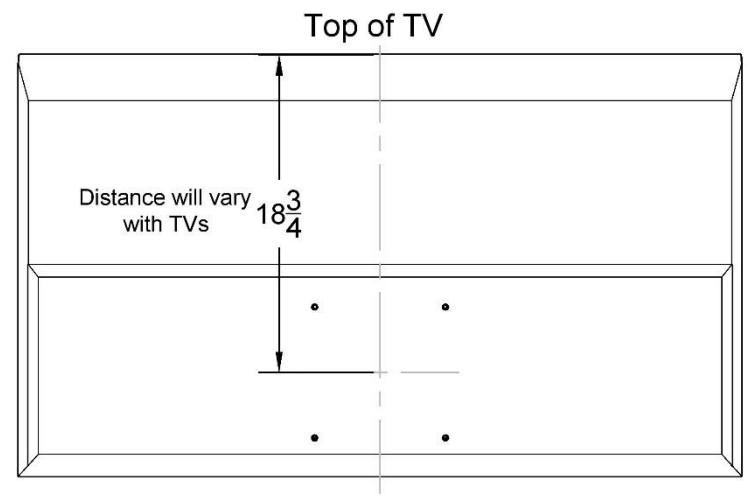
## Hardware



The VESA pattern is the configuration of 4 threaded holes on the back of TVs used for mounting the TV.

### Step 18: VESA Pattern

Measure the distance from the top of the TV to the center of the VESA pattern.



---

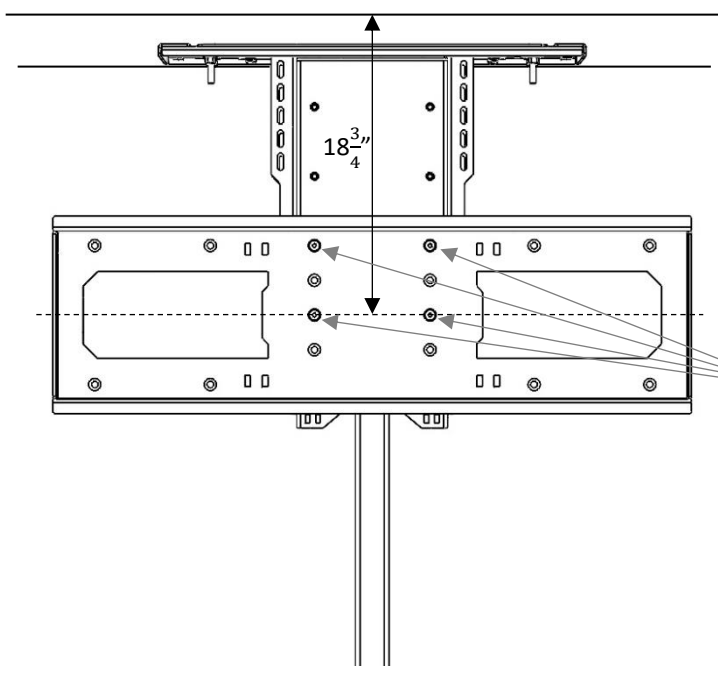
### Hardware

M6x12 FHMS



### Step 19: Screen Backplate

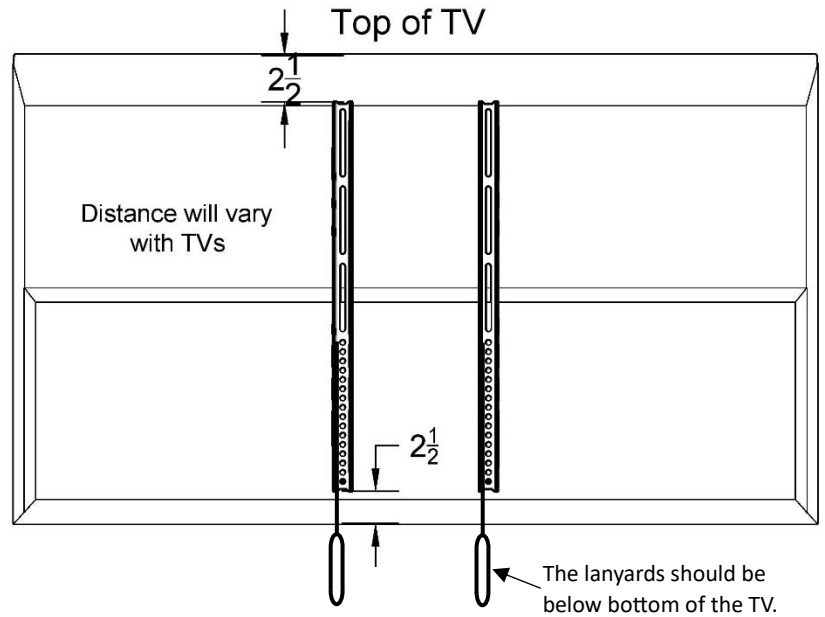
Use the measurement found in step 17 to *generally* match the distance from the top of the mechanism to the center of the Screen Backplate. It is unlikely that the holes will match up exactly so adjust the Backplate down to the next available holes. Now attach the Screen Backplate to the screen support using four M6x12 FHMS.





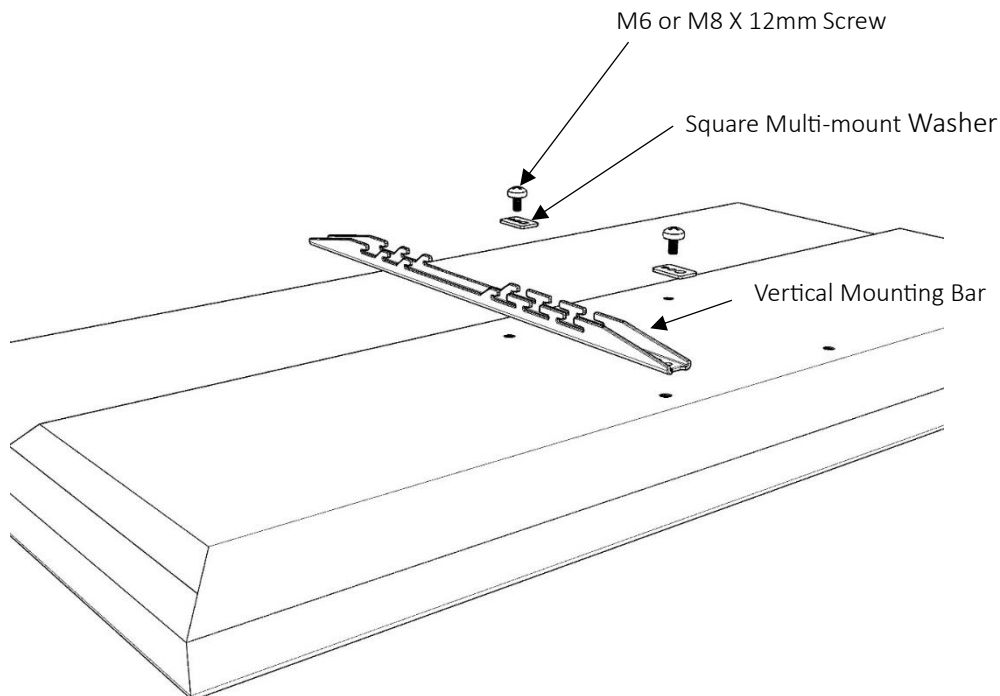
### Step 20: Vertical Mounting Bars

Attach the Vertical Mounting Bars to the TV with equal measurements from the top and bottom of the TV. *Note: the slots in the vertical mounting bar are closer to the top of the TV.*

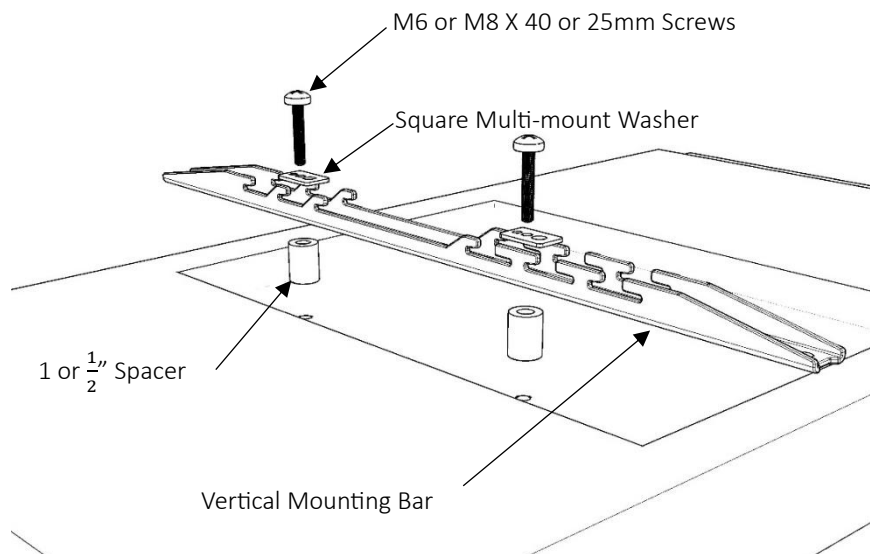


*There are several different scenarios for attaching the vertical mounting bar. The size and length of screws will vary from TV to TV.*

For a flat/unobstructed back, use this configuration. The width of the screws will vary with the diameter of the VESA pattern. **DO NOT OVERTIGHTEN SCREWS, OR DAMAGE TO TV MAY OCCUR.**

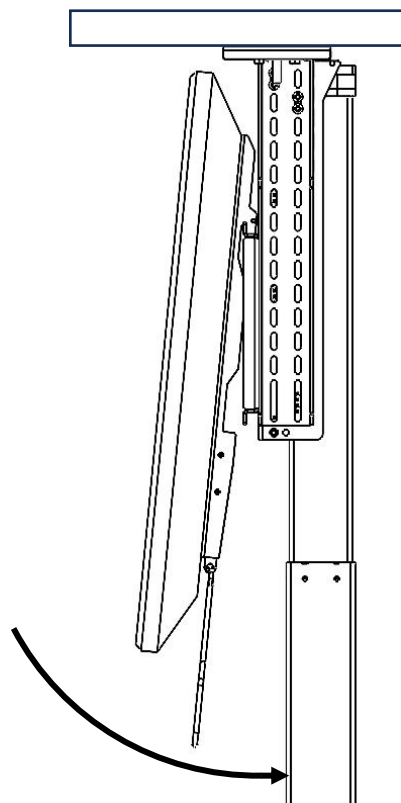


For an obstructed back, use this configuration. The length of spacers and screws will vary with the depth of the obstruction. The width of the screws will vary with the diameter of the VESA pattern. **DO NOT OVERTIGHTEN SCREWS, OR DAMAGE TO TV MAY OCCUR.**



### Step 21: TV Installation

Hang the TV by centering it on the lift and hooking the vertical mounting bars onto the screen backplate. Note: you may need to remove the TV and adjust the mounting bars or backplate, so the TV's final position is slightly below the top of the mechanism. 1/4" - 1/8" below the bottom of the lift top is optimal.



**Step 22: Securing the TV**

Once the TV is hung and is centered on the lift mechanism, tighten the screws on the back of the Vertical Mounting Bars to lock the TV in position.

