

Wildwood



TV LIFT FURNITURE



TV LIFT CABINET
WITH 360° SWIVELING MECHANISM

Safety Information

SEVERE PERSONAL INJURY AND PROPERTY DAMAGE CAN RESULT FROM IMPROPER INSTALLATION OR ASSEMBLY. READ THE FOLLOWING WARNINGS BEFORE BEGINNING

<p style="text-align: center;">TV HAZARD</p> 	<p style="text-align: center;">CABINET TOP HAZARD</p> 
<p style="text-align: center;">Caution:</p> <p style="text-align: center;">Avoid contact with the TV and Lift System during operation. Use with caution.</p>	<p style="text-align: center;">Caution:</p> <p style="text-align: center;">The cabinet lift top must be installed as described in the instructions, using the Steel Threaded Tapered Pins. Installing the cabinet top in any other fashion will create hazardous pinch points that can cause serious personal injury.</p>

Warnings:

1. Do not use this product for any application other than those specified by these instructions.
2. Do not exceed the weight capacity (145lbs). This can result in serious personal injury or damage to equipment or cabinet. It is the installer's responsibility to ensure that the weight of all attached components does not exceed that of the maximum figure stated.
3. Follow all technical specifications and instructions during the installation.
4. Only use attachments/accessories specified by the manufacturer.
5. Close supervision is necessary when this system is being used by, or near children, or disabled persons.
6. Read all technical instructions fully before installation and use. It is the installer's responsibility to ensure that all documentation is passed on to the users and read fully before operation.
7. Risk of electric shock. Do not attempt to open the Control Box.
8. To reduce the risk of fire or electric shock, do not expose parts to rain or other liquids.
9. Protect the power cord from being walked on or pinched.
10. Keep all documentation.
11. Heed all warnings.
12. Clean only with a dry cloth
13. Anti-tip hardware must be used to secure cabinet to the wall or floor.
14. Refer all service questions to Wildwood TV Lift Furniture if the system does not operate normally.

Wildwood TV Lift Furniture ("Wildwood") disclaims any liability for modifications, improper installations, or installations over the specified weight range. Wildwood will not be liable for any damages arising out of the use of, or inability to use this products. Wildwood bears no responsibility for incidental or consequential damages. This includes but is not limited to, any labor charges for the servicing of Wildwood products performed by anyone other than Wildwood.

Wildwood intends to make this, and all documentation as accurate as possible. However, Wildwood makes no claim that the information contained herein covers all details, conditions, or variations, nor does it provide for every possible contingency in connection with the installation or use of this product. The information contained in this documentation is subject to change without prior notice or obligation of any kind. Wildwood makes no representation or warranty, expressed or implied, regarding the information contained herein. Wildwood assumes no responsibility for the accuracy, completeness, or sufficiency of the information contained in this document.

Contents

Tools Needediii

Decorative Legs (Madison Style Only) 1

TV Mounting: Steps 2 - 8..... 2

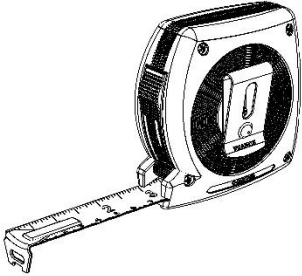
Securing the Cabinet: Options 1 & 2..... 7

Mounting the Lid: Steps 9 - 12..... 11

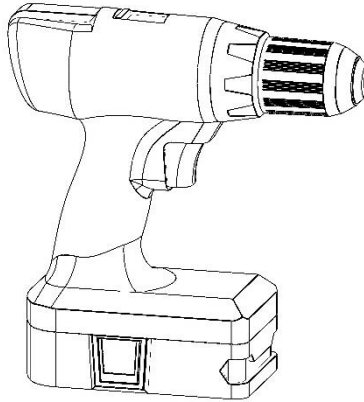
Optional Step: Setting the Height Limit 13

Tools Needed

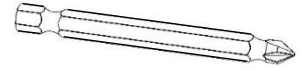
Tape Measure



Power Screwdriver



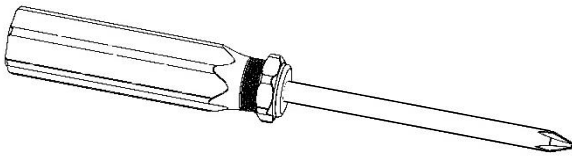
Phillips Driver



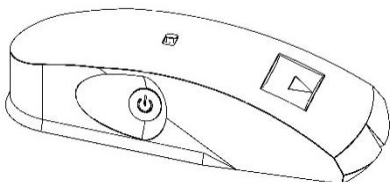
4mm Allen Wrench



Phillips Screwdriver



Stud Finder



Decorative Legs (Madison Style Only)

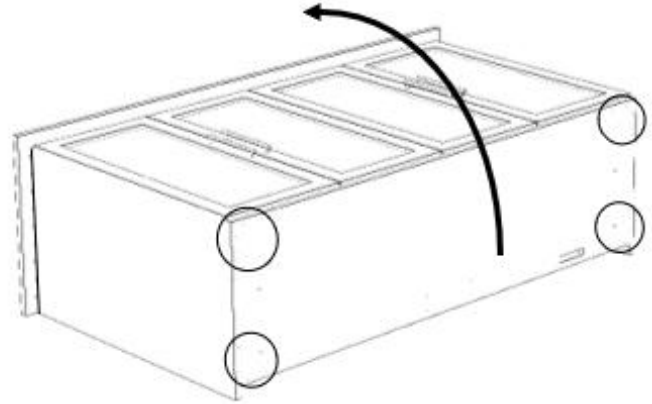
1" Screw (16)



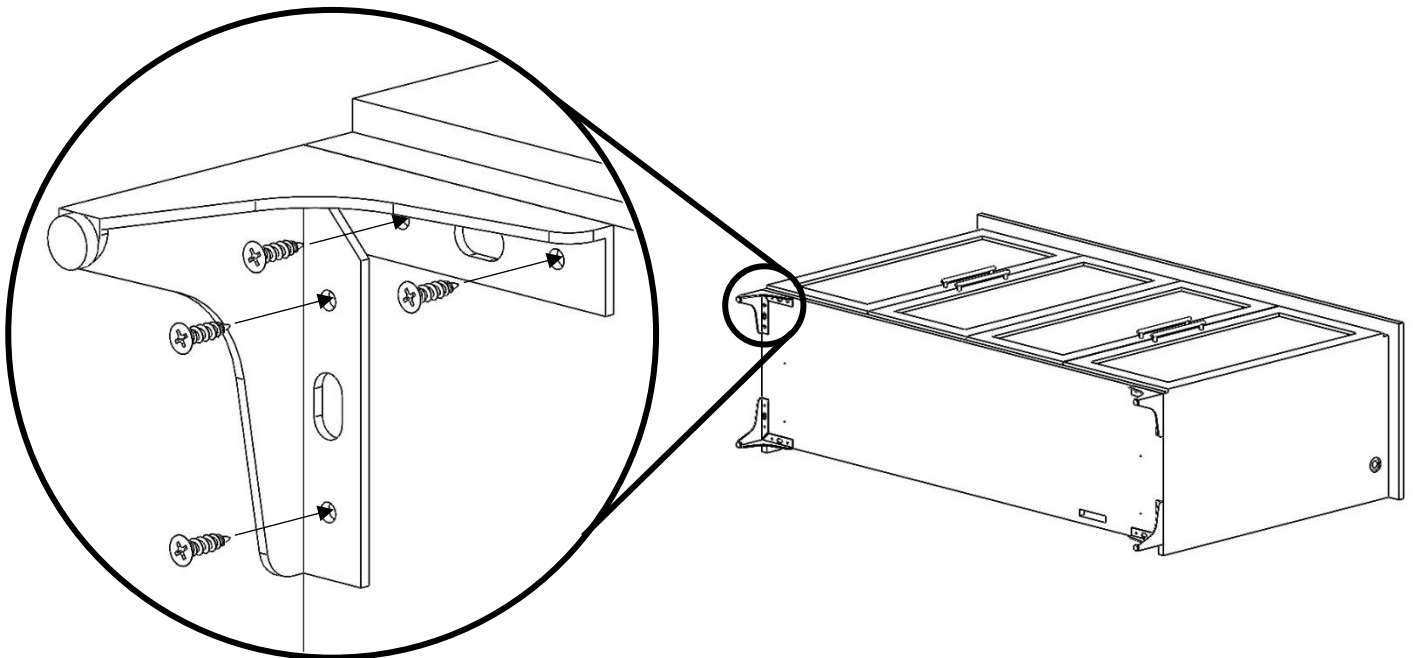
Hardware

Step 1

Lay the cabinet down on the floor and locate the predrilled holes in the bottom corners of the cabinet.



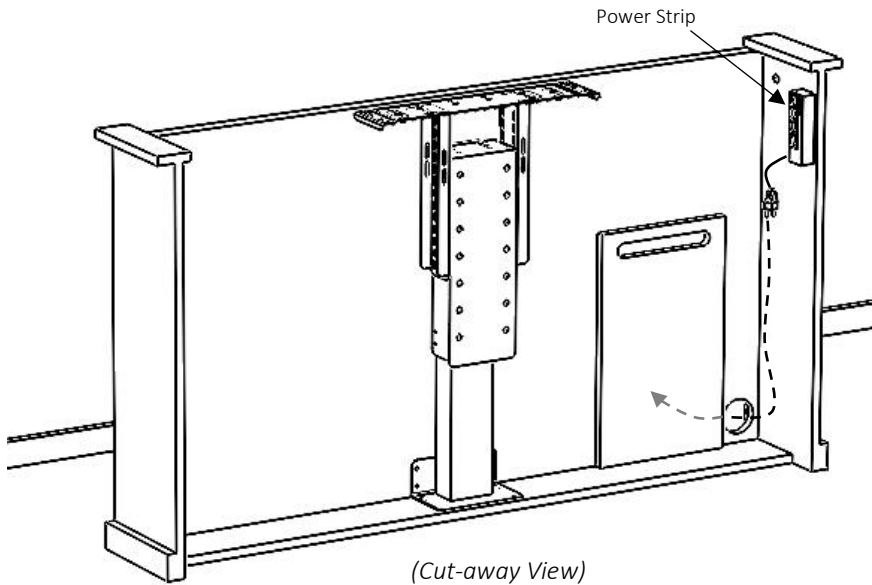
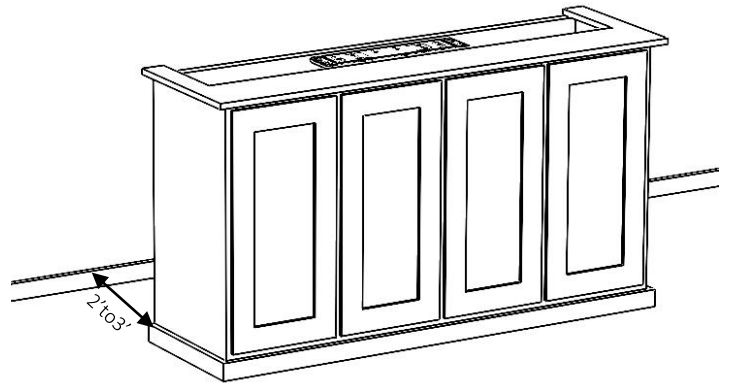
Attach the Legs, as shown, using 1" screws, aligning the holes in the legs with the predrilled holes in the bottom of the cabinet and then return the cabinet to the vertical position, taking care not to put too much weight on the back legs.



TV Mounting: Steps 2 - 8

Step 2: Positioning

Set the cabinet near the wall or area that the cabinet will be placed. Leave enough space to work around the cabinet.

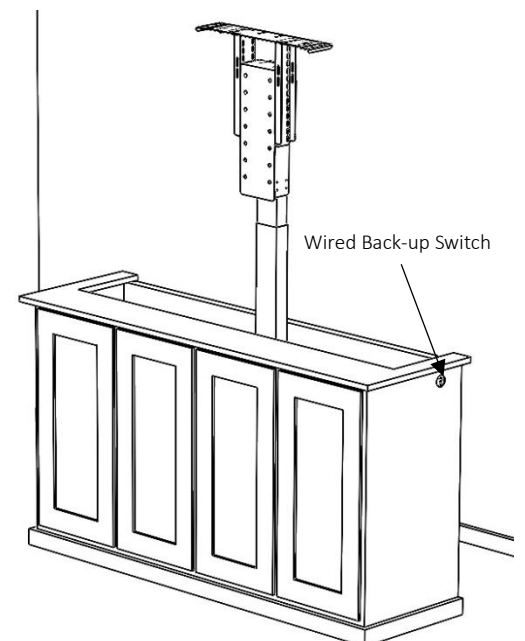


Step 3: Power Strip

Feed the Power Strip's cord out through the hole in the backing, as illustrated, and plug it into a power source in your home.

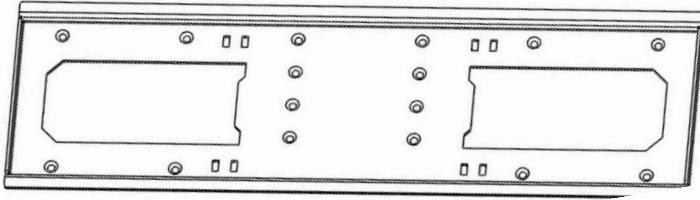
Step 4: Raising the Lift

Use the Back-up Switch to raise the mechanism out of the cabinet.

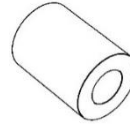


Hardware

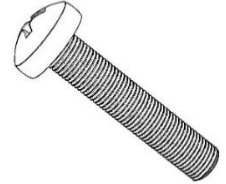
Screen Backplate



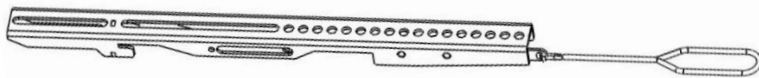
1" Spacer (4)



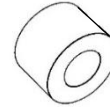
M8 X 40mm Screw (4)



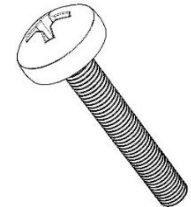
Vertical Mounting Bars (2)



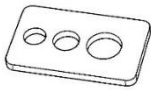
$\frac{1}{2}$ " Spacer (4)



M6 X 40mm Screw (4)



Square Multi-mount Washer (4)



M8 X 25mm Screw (4)



M6 X 12mm Screw (4)



M8 X 12mm Screw (4)



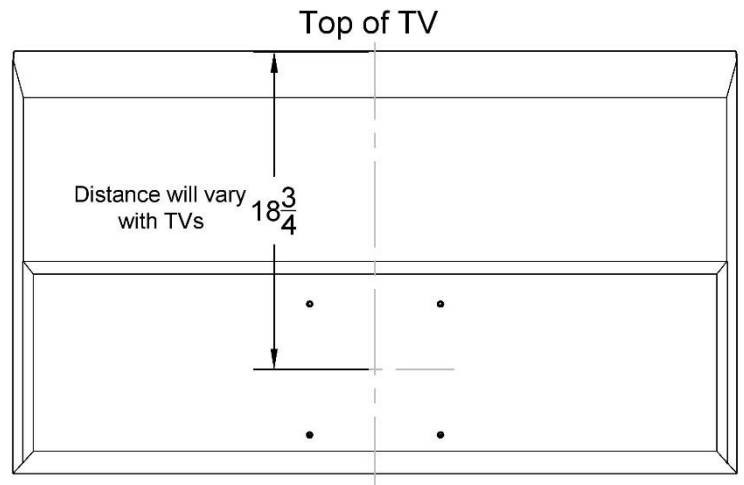
M6 X 25mm Screw (4)



The VESA pattern is the configuration of 4 threaded holes on the back of TVs used for mounting the TV.

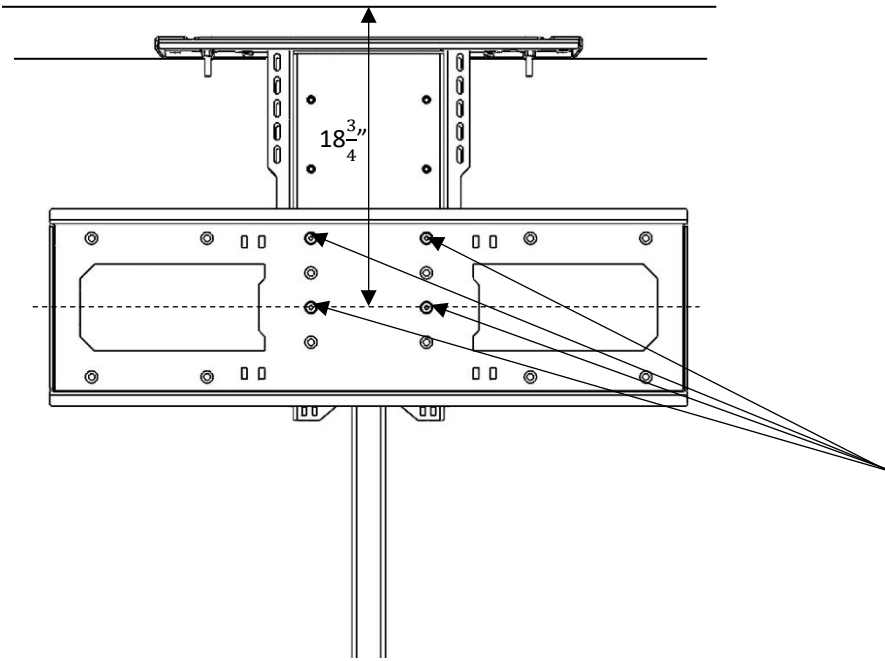
Step 5: VESA Pattern

Measure the distance from the top of the TV to the center of the VESA pattern.



M6x12 FHMS (4)

Hardware

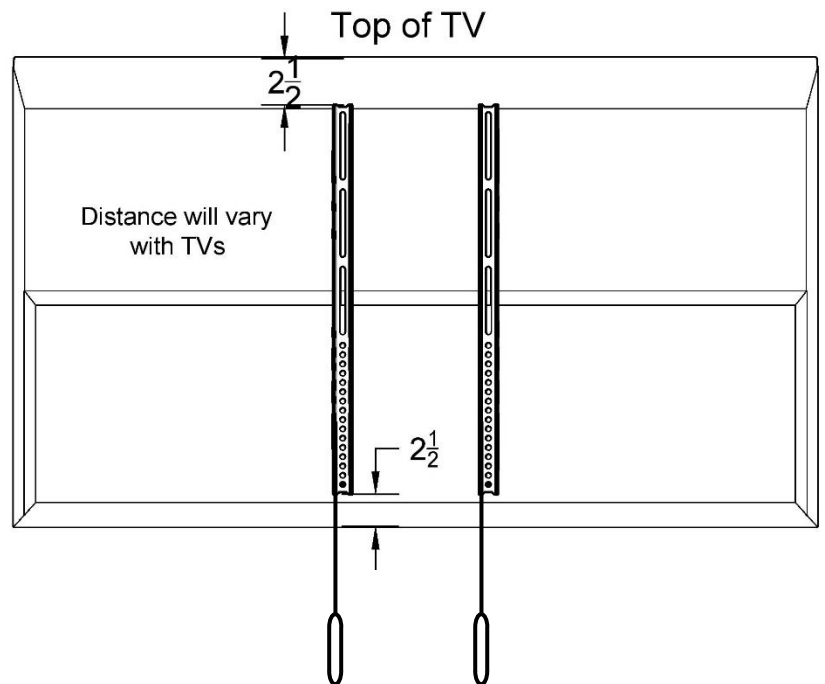


Step 6: Screen Backplate

Use the measurement found in step 5 to *generally* match the distance from the top of the mechanism to the center of the Screen Backplate. It is unlikely that the holes will match up exactly so adjust the Backplate down to the next available holes. Now attach the Screen Backplate to the screen support using four M6x12 FHMS.

Step 7: Vertical Mounting Bars

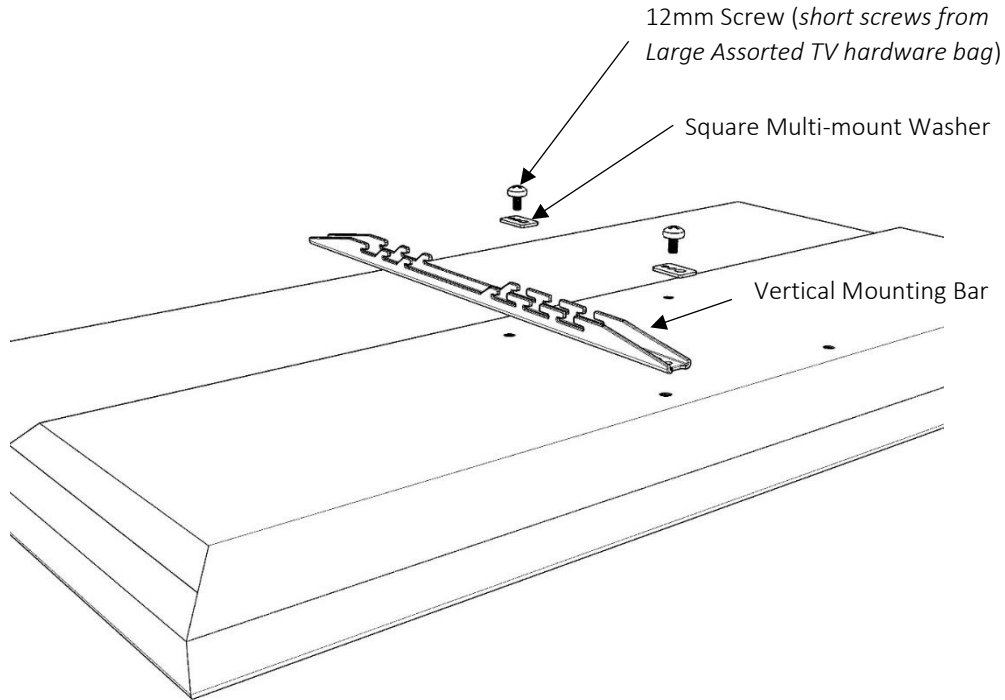
Attach the Vertical Mounting Bars to the TV with equal measurements from the top and bottom of the TV. *Note: the slots in the vertical mounting bar are closer to the top of the TV.*



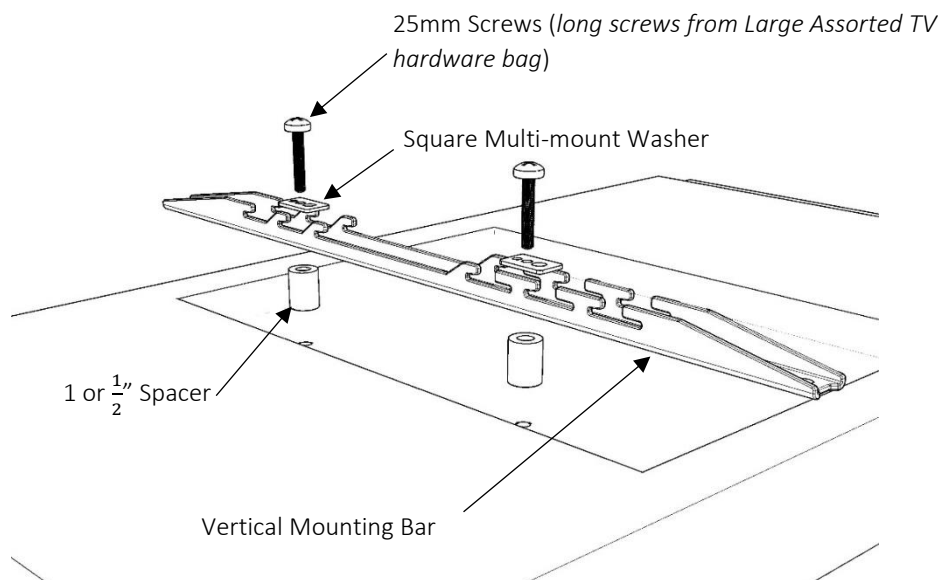
The lanyards should be below bottom of the TV.

There are several different scenarios for attaching the vertical mounting bar. The size and length of screws will vary from TV to TV.

For a flat/unobstructed back, use this configuration. The width of the screws will vary with the diameter of the VESA pattern. **DO NOT OVERTIGHTEN SCREWS, OR DAMAGE TO TV MAY OCCUR.**

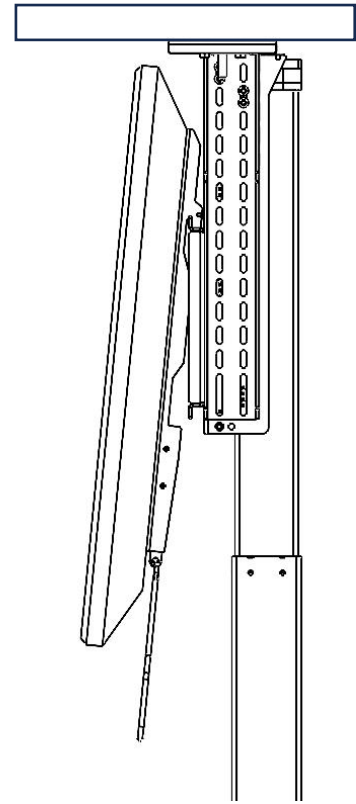


For an obstructed back, use this configuration. The length of spacers and screws will vary with the depth of the obstruction. The width of the screws will vary with the diameter of the VESA pattern. **DO NOT OVERTIGHTEN SCREWS, OR DAMAGE TO TV MAY OCCUR**

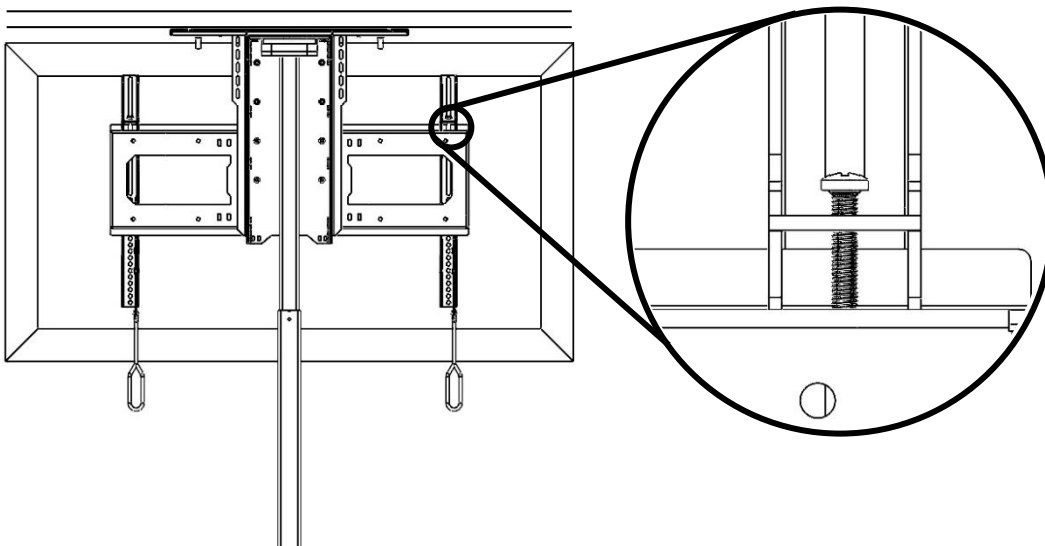


Step 8: Installing the TV

Hang the TV by centering it on the lift and hooking the vertical mounting bars onto the screen backplate. Note: you may need to remove the TV and adjust the mounting bars or backplate, so the TV's final position is slightly below the top of the mechanism 1/8" below the bottom of the lift top is optimal. This will allow the footboard top to come to rest flush on the footboard.



Once the TV is hung and is centered on the lift mechanism, tighten the screws on the back of the Vertical Mounting Bars to lock the TV in position.



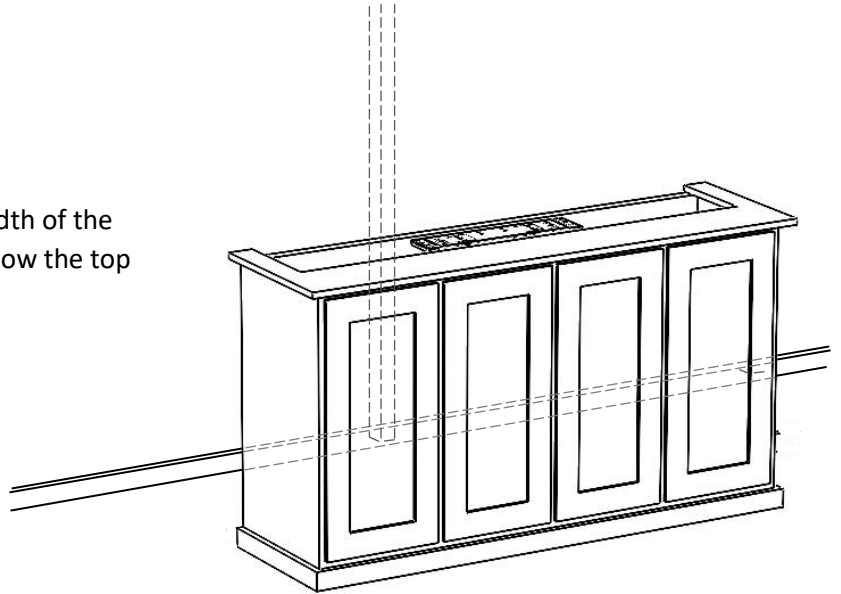
Securing the Cabinet: Options 1 & 2

*****Warning: This TV lift product must have Anti-tip Hardware installed to prevent the unit and TV from accidentally being tipped over. Failure to install the Anti-tip Hardware could result in injury or death.*****

Option 1, Step 1

(Attaching the unit to the Wall)

Use a Stud Finder to locate a stud within the width of the cabinet. Lightly mark the stud's location just below the top of the cabinet with a pencil.



Hardware

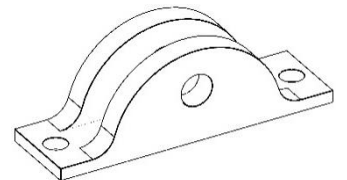
2" Wood Screw (4)



$\frac{3}{4}$ " Wood Screw (4)



Anti-tip Bracket (2)



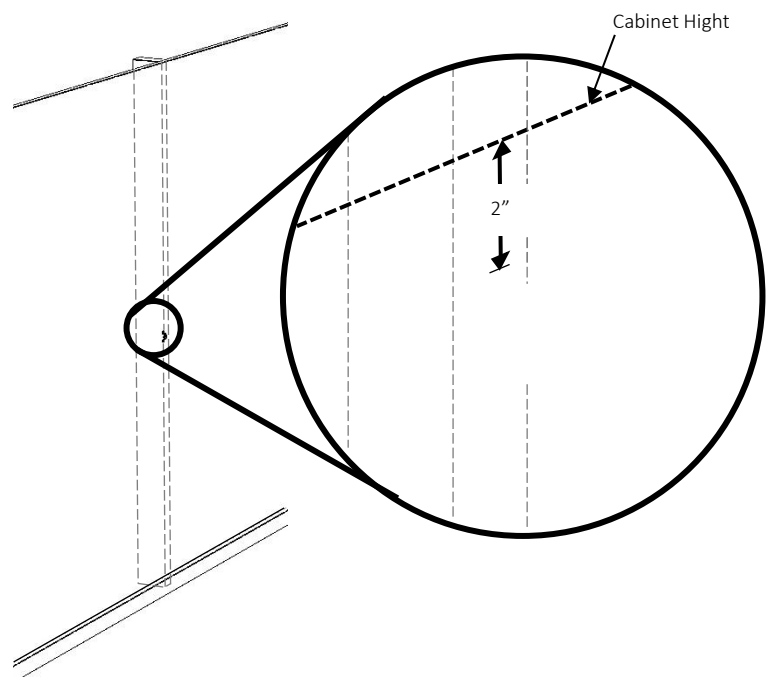
Option 1, Step 2

(Attaching the unit to the Wall)

On the wall where the studs are located, measure up from the floor to the height of the cabinet, then subtract 2".

Next attach the Anti-tip Bracket to the wall at the stud's location using two of the 2" Wood Screws, as illustrated.

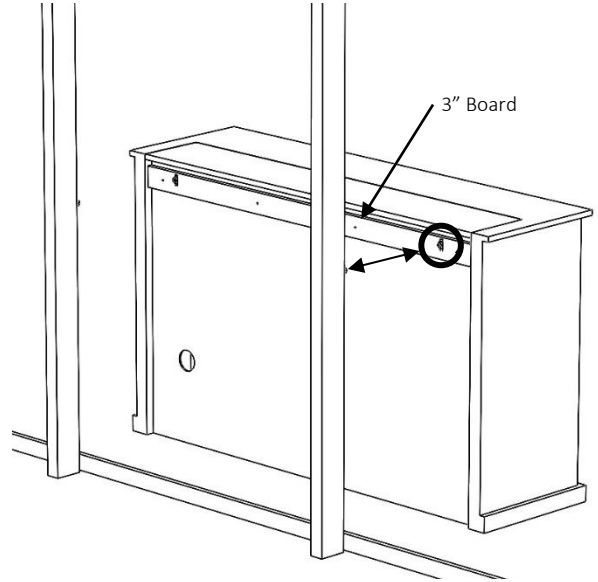
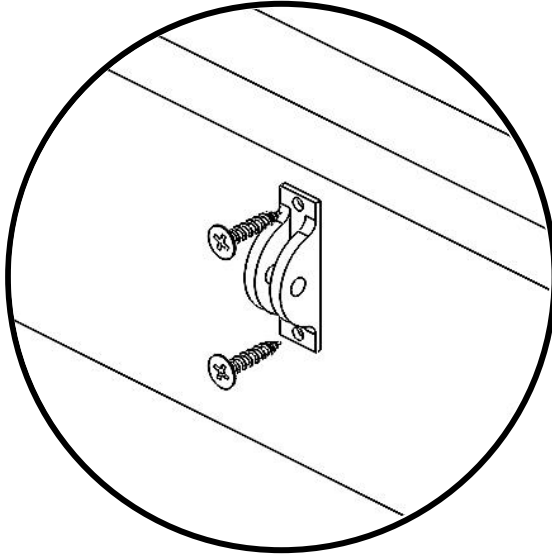
BOTH SCREWS MUST GO INTO THE STUD.



Option 1, Step 3

(Attaching the unit to the Wall)

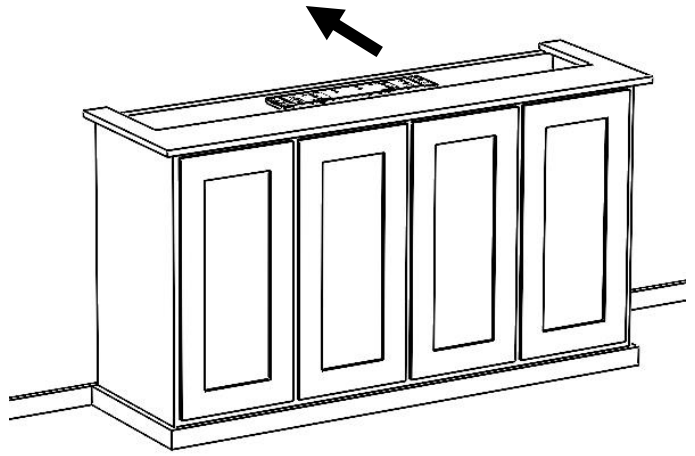
Attach the second Anti-tip Bracket to the cabinet, as illustrated, using two of the $\frac{3}{4}$ " Wood Screws.



Option 1, Step 4

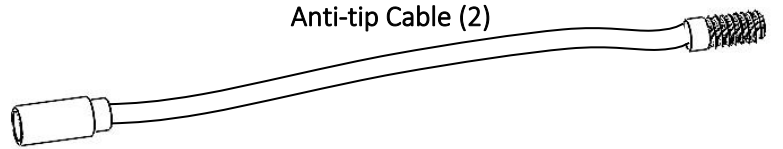
(Attaching the unit to the Wall)

Move the Cabinet against the wall.



Hardware

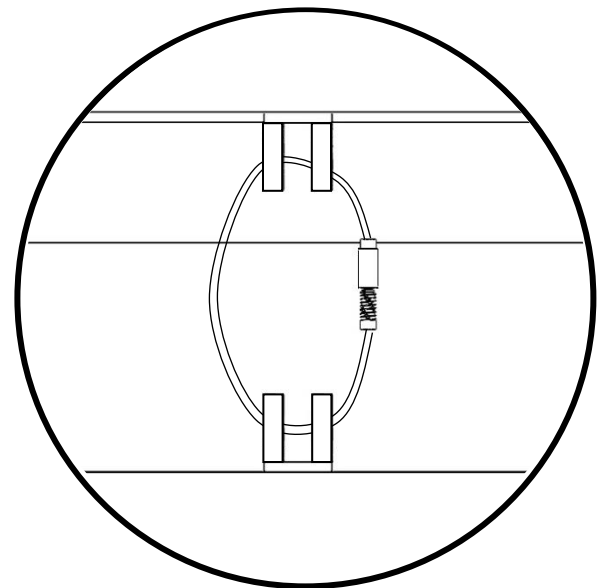
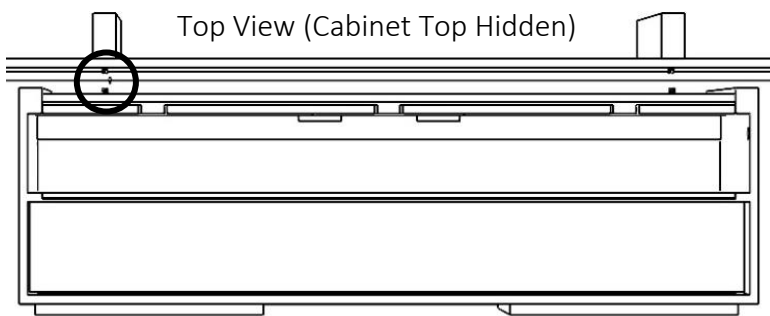
Anti-tip Cable (2)



Option1, Step 5

(Attaching the unit to the Wall)

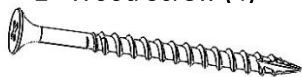
Thread Anti-tip Cable through Anti-Tip Brackets and thread ends together to secure.



With the cabinet secured to the wall, skip ahead to step 9. If the cabinet cannot be anchored to the wall as described here in Option 1, follow instructions in Option 2 to anchor the cabinet to the floor.

Hardware

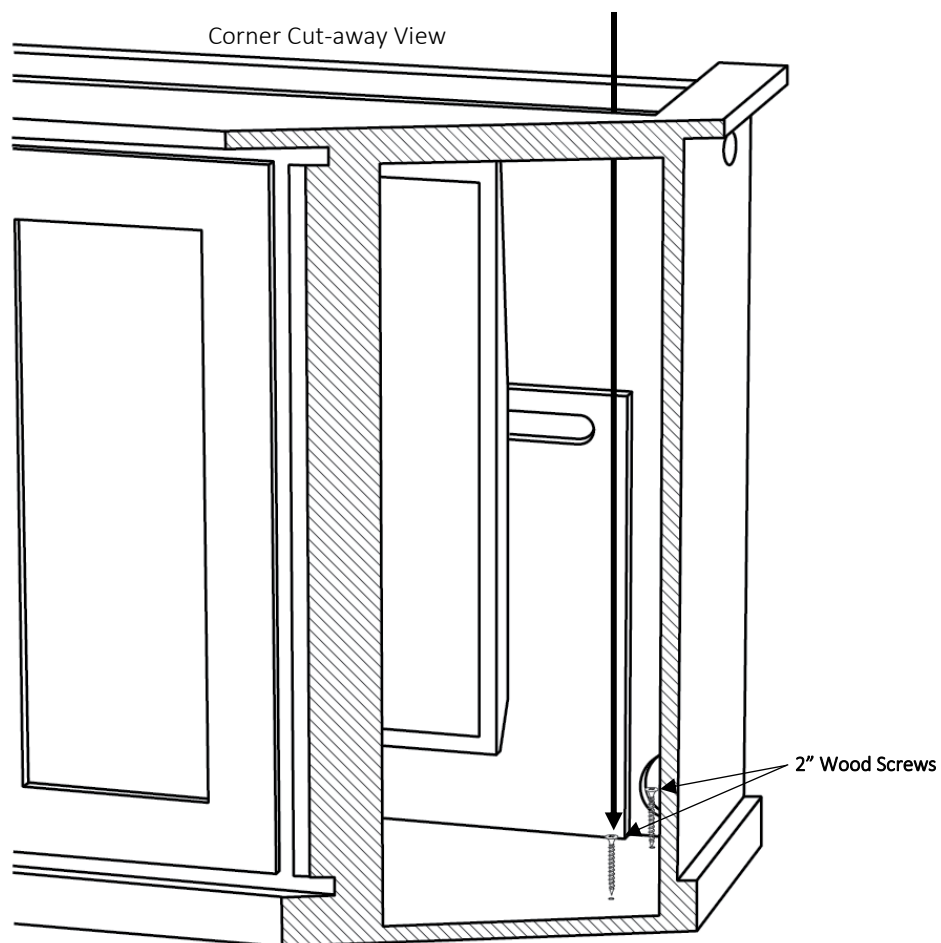
2" Wood Screw (4)



Option 2, Step 1

(Attaching the unit to the floor (available for cabinets without decorative legs or casters))

Access the holes through the top of the cabinet. Use a Hand Screwdriver to screw two of the 2" screws through each hole and into the floor.



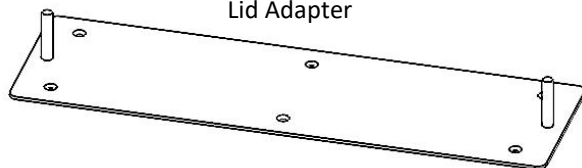
Mounting the Lid: Steps 9 - 12

Hardware

#8x $\frac{3}{4}$ " (6) FHWS

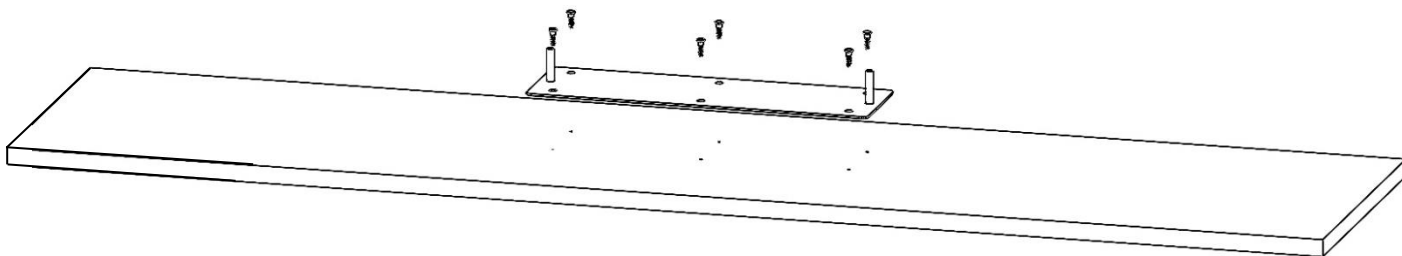


Lid Adapter



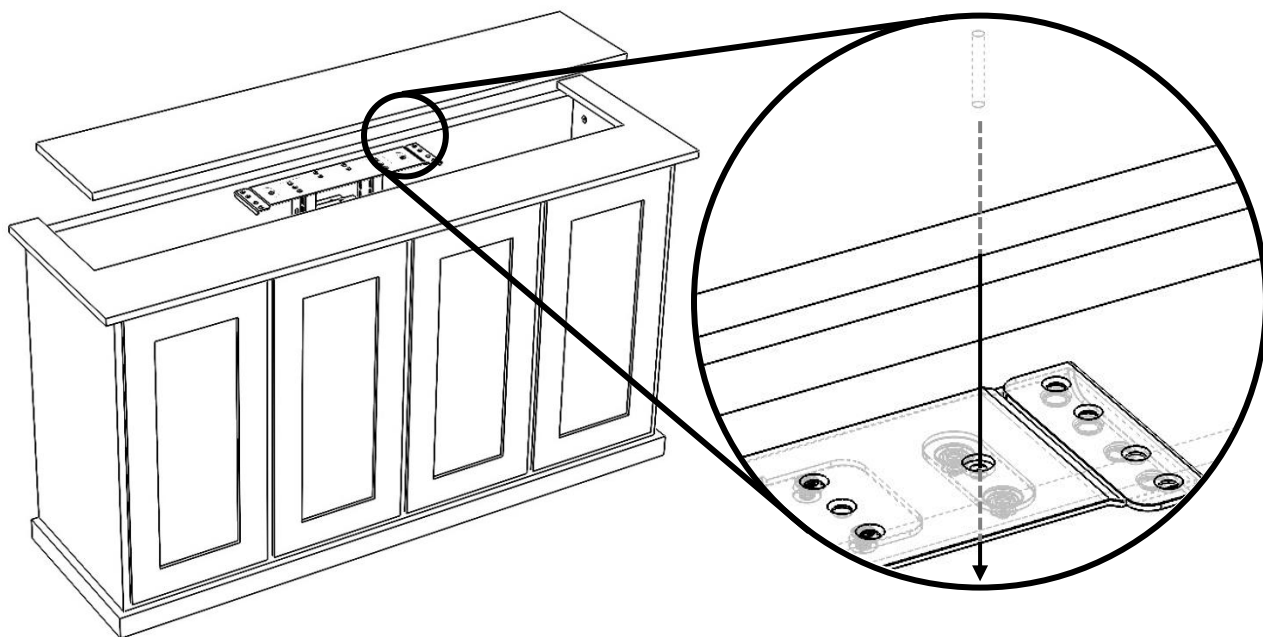
Step 9

Locate the Footboard Lid. Attach the Lid Adapter to the Footboard Lid using six #8x $\frac{3}{4}$ " FHWS, aligning the holes in the Lid Adapter with the predrilled holes in the Footboard Lid.



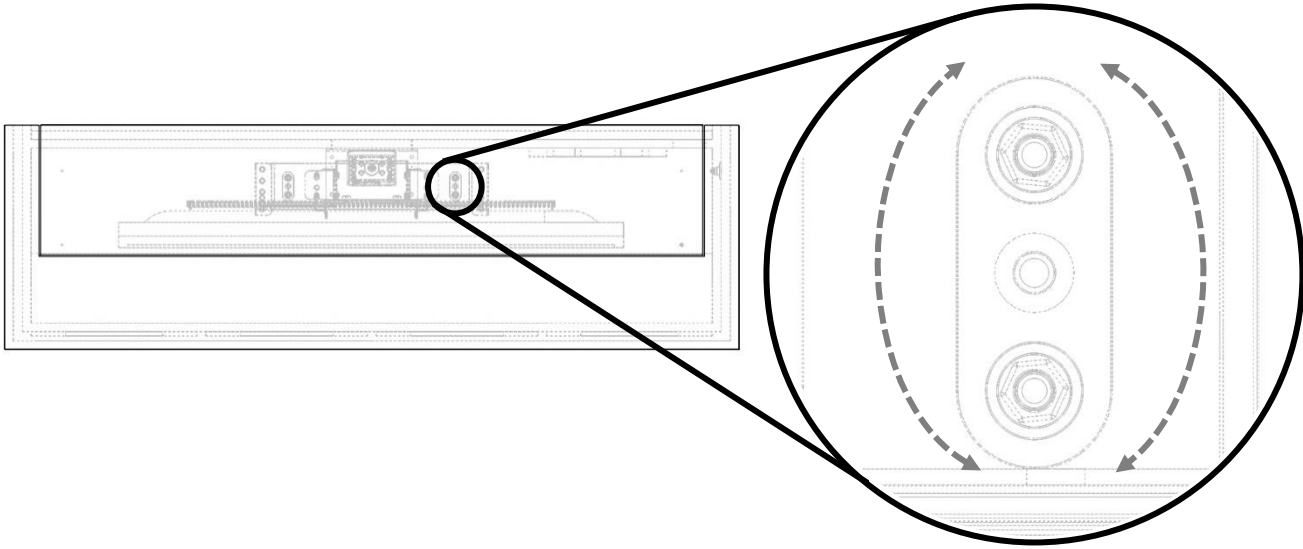
Step 10

Set the Lid on top of the mechanism with the Taper Pins going through the holes as shown.

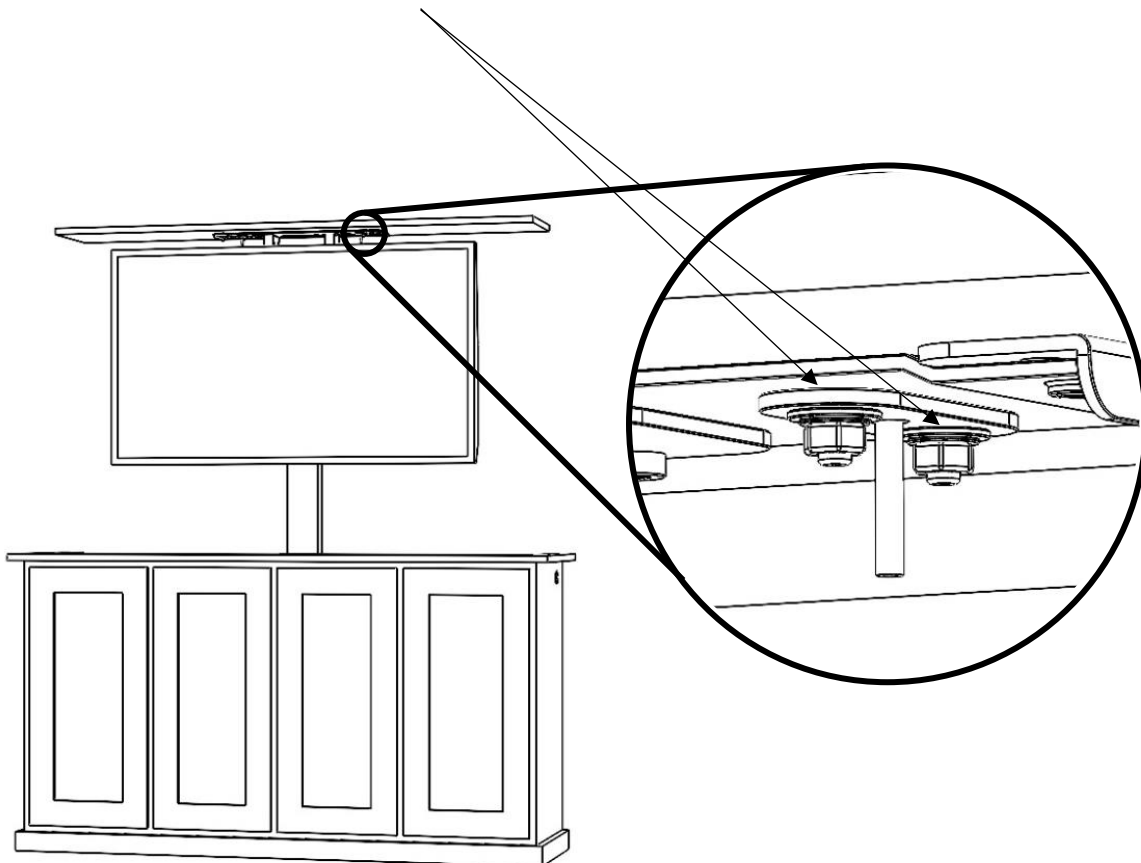


Step 11

The plates around the Taper Pins are adjustable to allow alignment for the Lid. Push against the top to move the plates front to back and side to side until the top is aligned inside of the cut-out.

**Step 12**

Use the remote or the Backup Switch to raise the mechanism. Then, use a 10mm wrench or socket wrench to tighten the nuts around the Taper Pins. Doing so secures the Lid into position on the mechanism.



Optional Step: Setting the Height Limit

You have the option of restricting the height that the mechanism rises. To do so, use the Remote or the Backup Switch to adjust the lift to the desired height. Once done, plug the Height Restrictor (shown below) into the RF Receiver.

